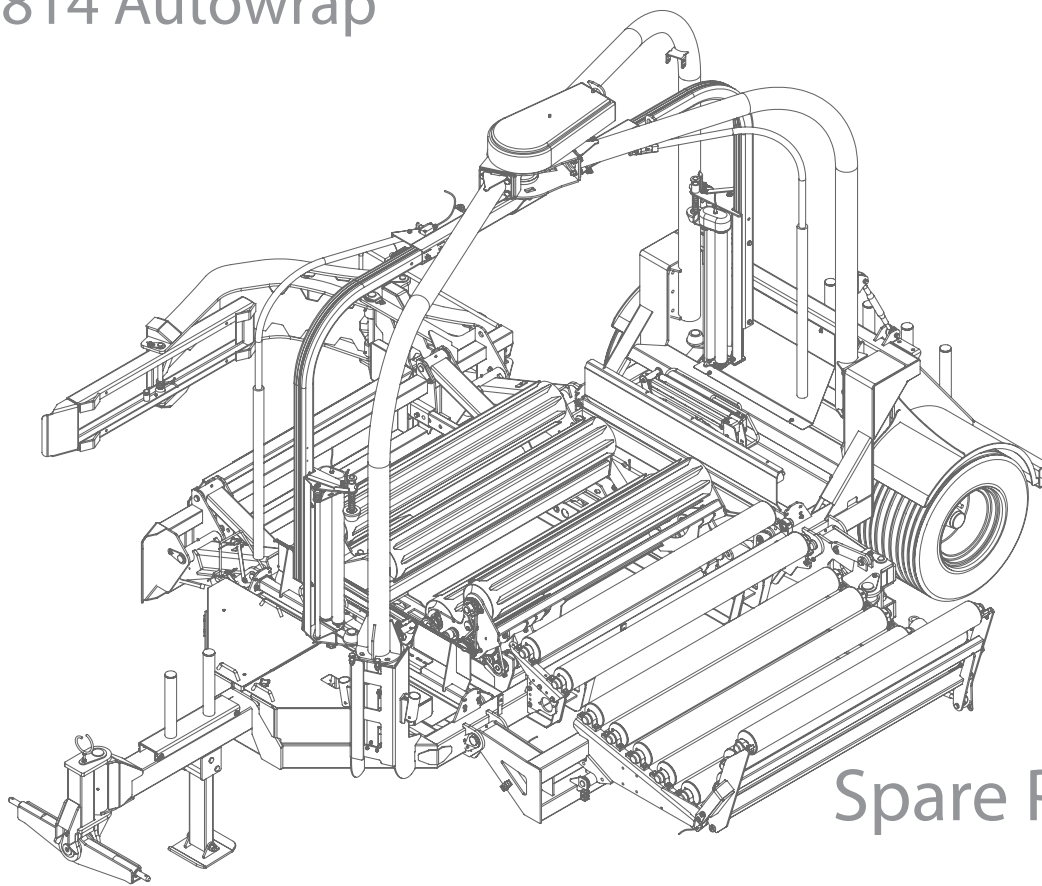


# 1814 Autowrap



Spare Parts  
manual

## 1814 Spare Parts List

We recommend that when you require spare parts you use only original parts.

When ordering spare parts please follow the following steps;

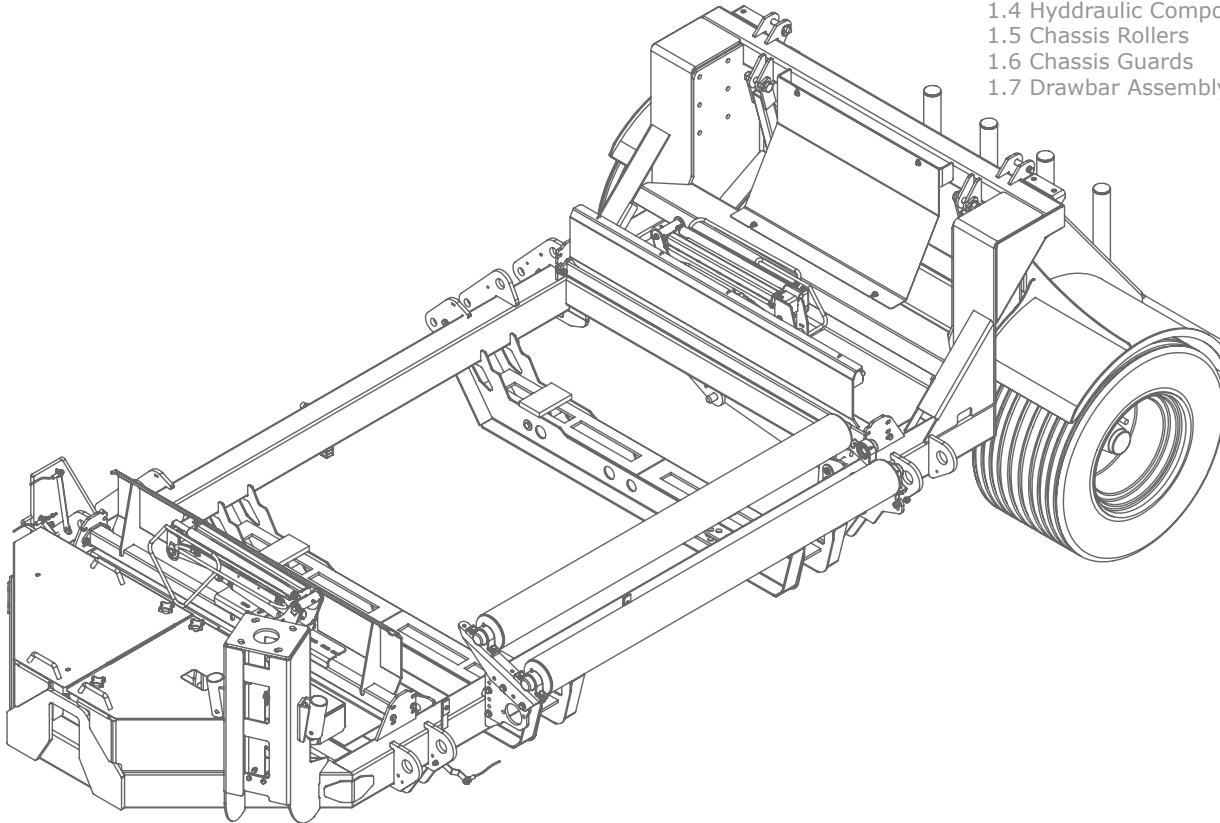
1. Identify the part you require using the detailed drawings.
2. Once you have identified the part you require reference the item number relating to the part on the item list where you will find the part number and description of the part you require. You will be required to give the complete part number and description when ordering your part(s).
3. When ordering you must give the Serial Number and Model Number of the machine.
4. All orders must go through your local Tanco Dealer, and must be either faxed or e-mailed to Tanco Autowrap.

## Table of Contents - Spare Parts Manual -

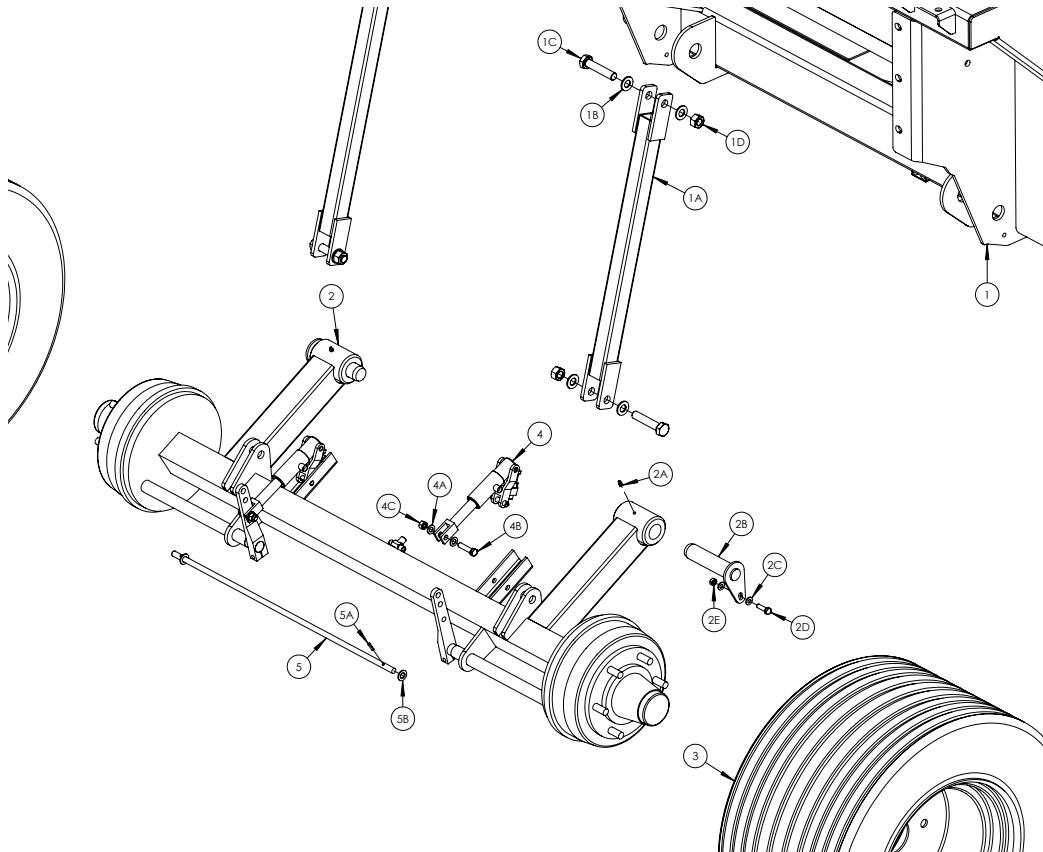
Chapter	Contents	Page
1	Chassis Assembly	3
2	Cut & Tie Assembly	17
3	Rocking Rollers	25
4	Tower Assembly	35
5	Dispenser Assembly	47
6	Load Arm Assembly	53
7	Conveyor Assembly	61
8	Controller Mounting Assembly	69

1. Chassis Assembly

- 1.1 Axle Mounting
- 1.2 Bumper Assembly
- 1.3 Bale Stops
- 1.4 Hydraulic Components
- 1.5 Chassis Rollers
- 1.6 Chassis Guards
- 1.7 Drawbar Assembly

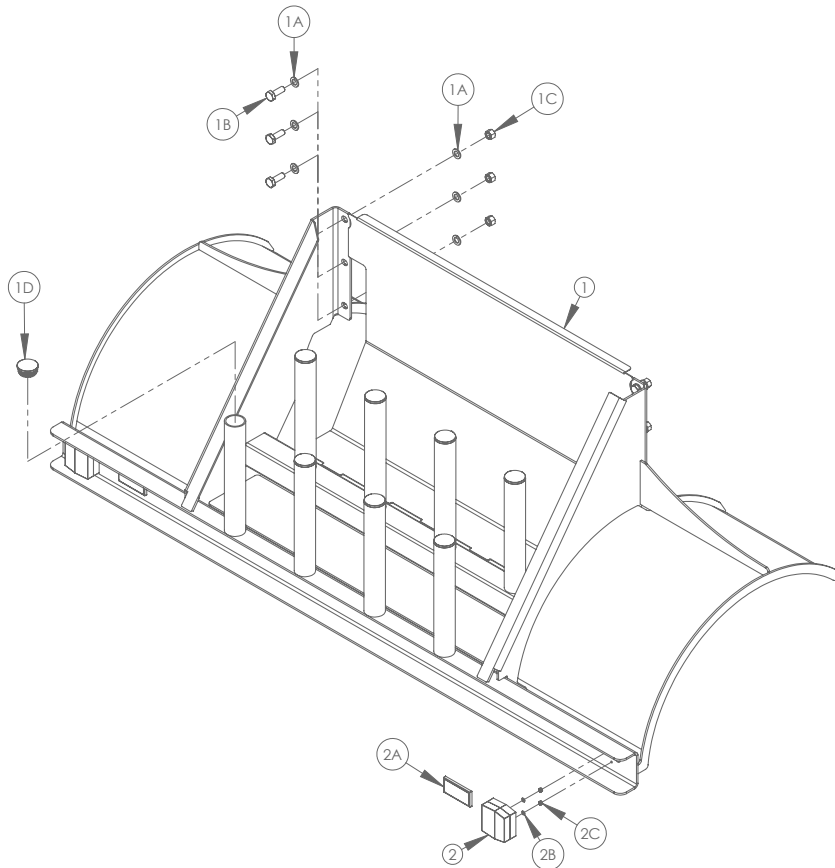


- 1. Chassis Assembly
  - 1.1 Axle Mounting
  - 1.2 Bumper Assembly
  - 1.3 Bale Stops
  - 1.4 Hydraulic Components
  - 1.5 Chassis Rollers
  - 1.6 Chassis Guards
  - 1.7 Drawbar Assembly



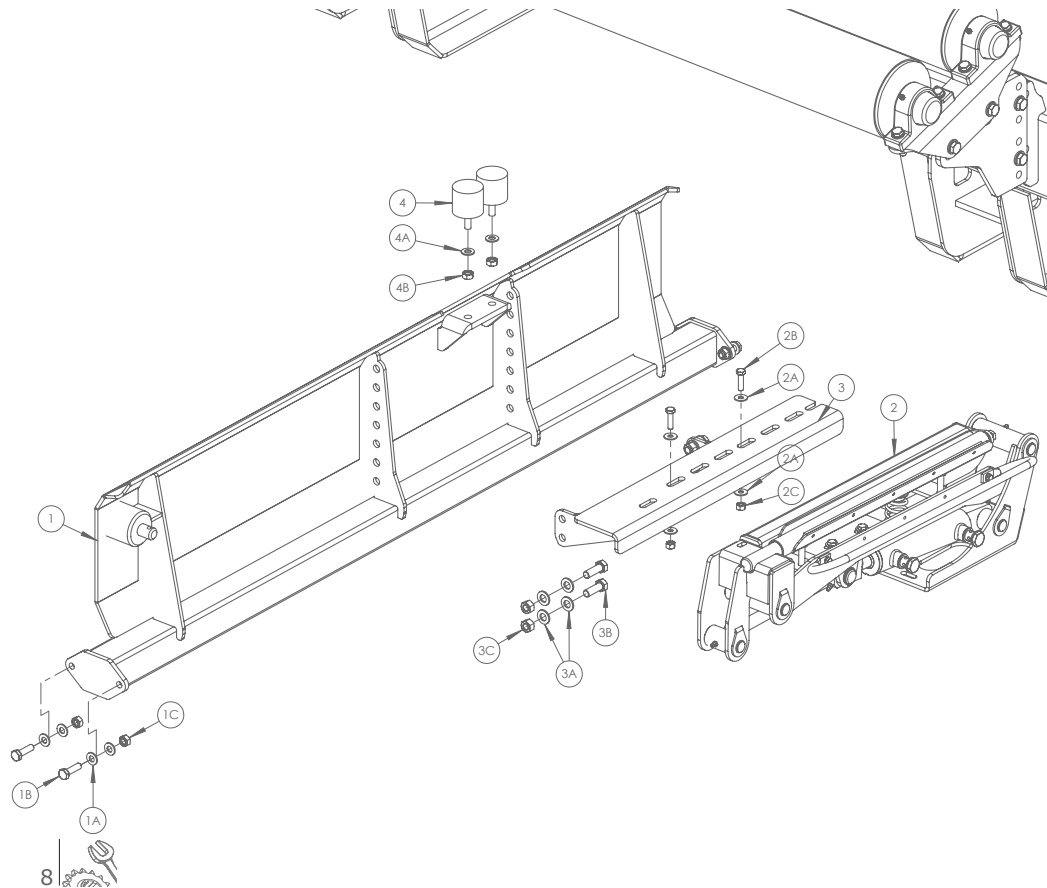
Item No.	Part No.	Description	Qty
1	1801500	Chassis	1
1A	1801090	Axle Linkage Bracket	1
1B	Z10-02-20	20mm Flat Washer	4
1C	Z26-169B	M20 x 100mm Hex Set	2
1D	Z23-20	20mm Locknut	2
2	1801095	Axle Assembly	1
2A	34060800	M8 x 1.25 Grease Nipple	1
2B	1801150	Axle Mounting Pin	1
2C	Z10-02-10	10mm Flat Washer	2
2D	Z26-063S	M10 x 35mm Hex Set	1
2E	Z23-10	10mm Locknut	1
3	Z04-04-2020	Road Wheel	1
4	M2129	Brake Ram	1
4A	Z10-02-12	12mm Flat Washer	2
4B	Z26-086B	M12 x 50mm Hex Bolt	1
4C	Z23-12	12mm Locknut	1

- 1. Chassis Assembly
  - 1.1 Axle Mounting
  - 1.2 Bumper Assembly
  - 1.3 Bale Stops
  - 1.4 Hydraulic Components
  - 1.5 Chassis Rollers
  - 1.6 Chassis Guards
  - 1.7 Drawbar Assembly



Item No	Part No	Description	Qty
1	1809400	Bumper Frame	1
1A	Z10-02-16	16mm Flat Washer	12
1B	Z26-123S	M16 x 45mm Hex Set	6
1C	Z23-16	16mm Locknut	6
1D	Z32-081	2 3/8" Tube Internal Cap	8
2	Z05-30	Lighting Set	1
2A	Z04-621	Light Reflector	4
2B	Z10-02-05	5mm Flat Washer	4
2C	Z23-05	5mm Locknut	4

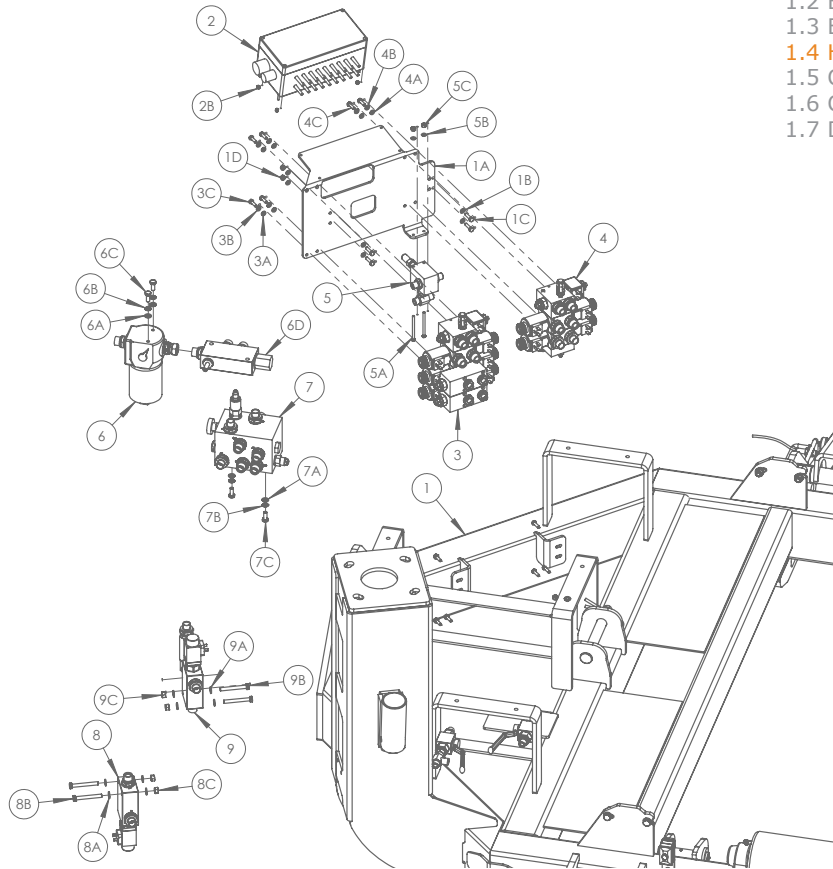




- 1. Chassis Assembly
  - 1.1 Axle Mounting
  - 1.2 Bumper Assembly
  - 1.3 Bale Stops
  - 1.4 Hydraulic Components
  - 1.5 Chassis Rollers
  - 1.6 Chassis Guards
  - 1.7 Drawbar Assembly

Item No	Part No	Description	Qty
1	1801600	Rear Bale Stop	1
1A	Z10-02-10	10mm Flat Washer	8
1B	Z26-063S	M10 x 35mm Hex Set	4
1C	Z23-10	10mm Locknut	4
2	1406100	Professional Cut & Start	2
2A	Z11-02-081	8mm Mud Washer	4
2B	Z26-041S	M8 x 30mm Hex Set	2
2C	Z23-08	8mm Locknut	2
3	34240102	Cut & Start Mounting	1
3A	Z10-02-12	12mm Flat Washer	8
3B	Z26-083S	M12 x 35mm Hex Set	4
3C	Z23-12	12mm Locknut	4
4	Z40-20	Ø 50mm x 42 Rubber Buffer	2
4A	Z10-02-10	10mm Flat Washer	2
4B	Z23-10	10mm Locknut	2

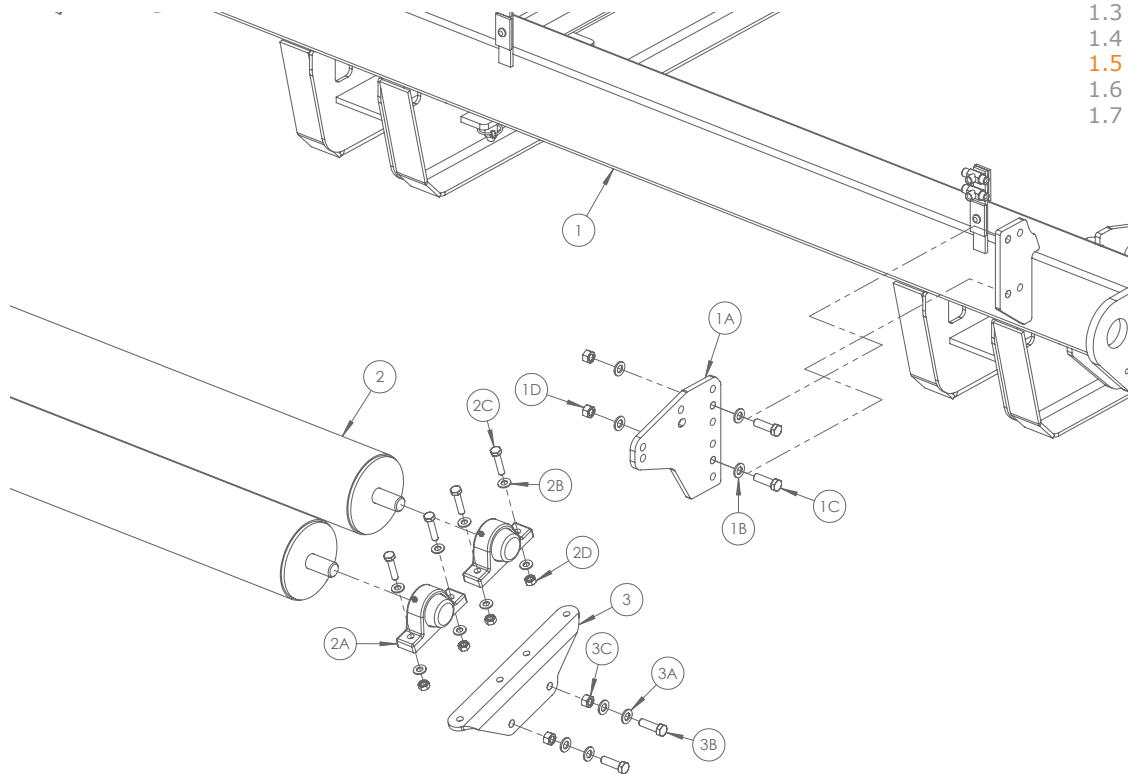
- 1. Chassis Assembly
- 1.1 Axle Mounting
- 1.2 Bumper Assembly
- 1.3 Bale Stops
- 1.4 Hydraulic Components
- 1.5 Chassis Rollers
- 1.6 Chassis Guards
- 1.7 Drawbar Assembly



Item No	Part No	Description	Qty
1	1801500	Chassis	1
1A	1801544	Control Valve Mounting	1
1B	Z10-02-06	6mm Flat Washer	8
1C	Z26-0215	M6 x 25mm Hex Set	4
1D	Z23-06	6mm Locknut	4
2	180901..	Junction Box	1
2A	Z10-02-04	4mm Flat Washer	4
2B	Z23-04	4mm Locknut	4
3	1808070	Control Valve 1	1
3A	Z10-02-06	6mm Flat Washer	4
3B	Z12-02-06	6mm Spring Washer	4
3C	Z26-0205	M6 x 20mm Hex Set	4
4	1808080	Control Valve 2	1
4A	Z10-02-06	6mm Flat Washer	4
4B	Z12-02-06	6mm Spring Washer	4
4C	Z26-0205	M6 x 20mm Hex Set	4
5	1808090	Pressure Releif Valve	1
5A	Z26-0179S	M5 x 20mm Hex Set	2
5B	Z10-02-05	5mm Flat Washer	2
5C	Z23-05	5mm Locknut	2

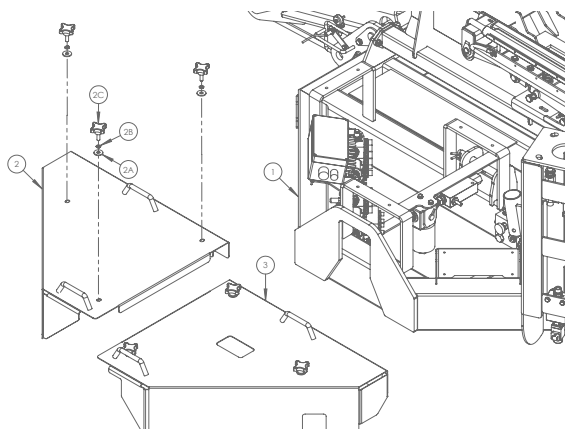
Item No	Part No	Description	Qty
6	1308070	Pressure Filter	1
6A	Z10-02-08	8mm Flat Washer	2
6B	Z12-02-08	8mm Spring Washer	2
6C	Z26-039S	M8 x 20mm Hex Set	2
6D	Z01-03-10-A7W	Priority Flow Regulator	1
7	1808150	Assembly Block	1
7A	Z10-02-08	8mm Flat Washer	2
7B	Z12-02-08	8mm Spring Washer	2
7C	Z26-039S	M8 x 20mm Hex Set	2
8	1408200	Proportional Valve	1
8A	Z10-02-08	8mm Flat Washer	4
8B	Z26-048B	M8 x 65mm Hex Bolt	2
8C	Z23-08	8mm Locknut	2
9	1408200	Proportional Valve	1
9A	Z10-02-08	8mm Flat Washer	4
9B	Z26-048B	M8 x 65mm Hex Bolt	2
9C	Z23-08	8mm Locknut	2

- 1. Chassis Assembly
- 1.1 Axle Mounting
- 1.2 Bumper Assembly
- 1.3 Bale Stops
- 1.4 Hydraulic Components
- 1.5 Chassis Rollers
- 1.6 Chassis Guards
- 1.7 Drawbar Assembly



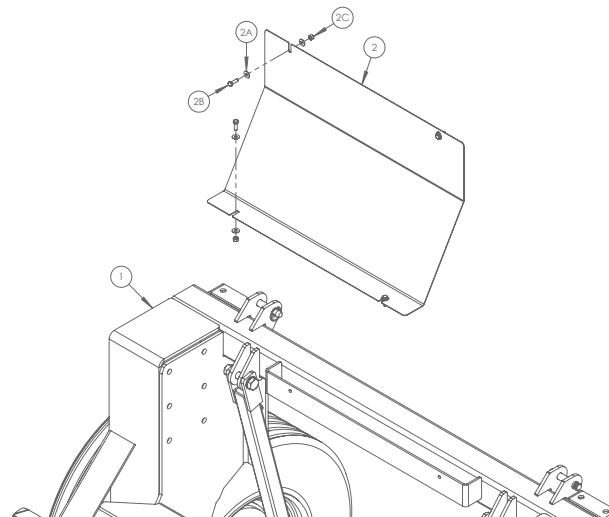
Item No	Part No	Description	Qty
1	1801500	Chassis	1
1A	1801516	Chassis Roller Mount (Vertical)	1
1B	Z10-02-12	12mm Flat Washer	4
1C	Z26-084S	M12 x 40mm Hex Set	2
1D	Z23-12	12mm Locknut	2
2	1807535	Idle Roller (Long)	2
2A	Z06-47-25	25mm Pillow Block Bearing	2
2B	Z10-02-10	10mm Flat Washer	8
2C	Z26-065S	M10 x 45mm Hex Set	4
2D	Z23-10	10mm Locknut	4
3	1801523	Chassis Roller Mount (Horizontal)	1
3A	Z10-02-12	12mm Flat Washer	4
3B	Z26-084S	M12 x 40mm Hex Set	2
3C	Z23-12	12mm Locknut	2

Front Guards



- 1. Chassis Assembly
- 1.1 Axle Mounting
- 1.2 Bumper Assembly
- 1.3 Bale Stops
- 1.4 Hydraulic Components
- 1.5 Chassis Rollers
- 1.6 Chassis Guards
- 1.7 Drawbar Assembly

Rear Guard



Front Guards

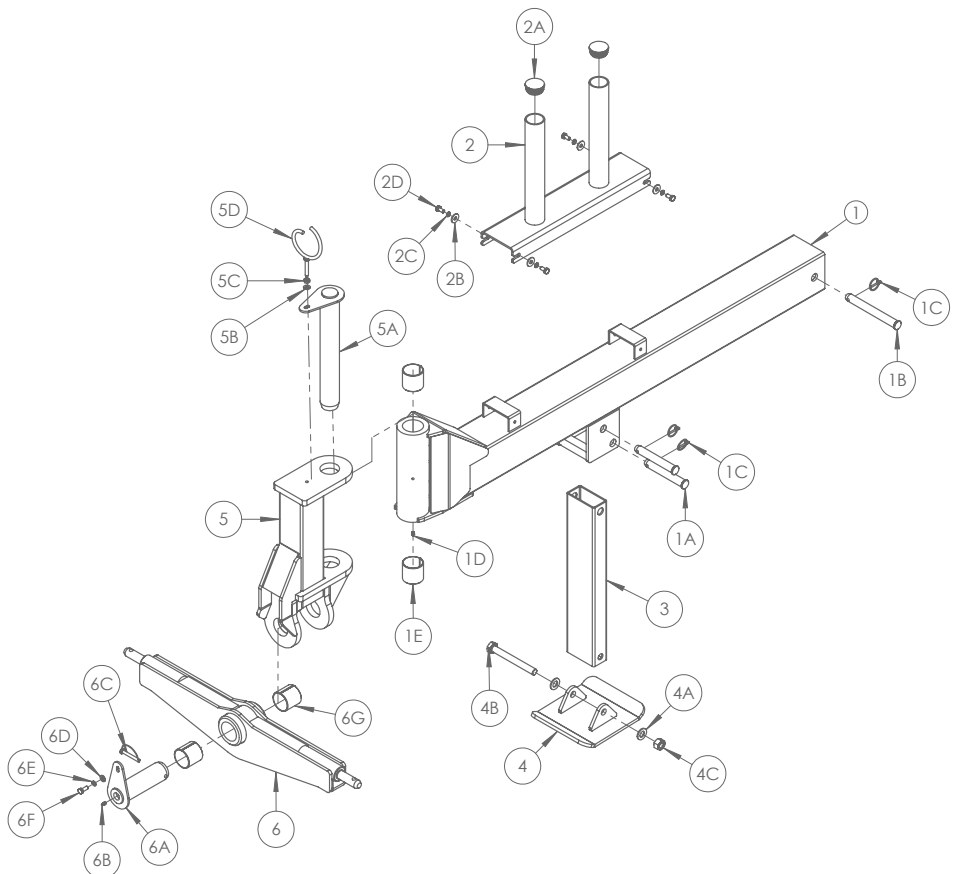
Item No	Part No	Description	Qty
1	1801500	Chassis	1
2	1801820	Valve Cover (Left)	1
2A	Z11-02-101	10mm (1" O.D.) Mud Washer	3
2B	Z12-02-10	10mm Spring Washer	3
2C	Z49-96	M10 x 50mm Knob	3
3	1801825	Valve Cover (Right)	1

Rear Guard

Item No	Part No	Description	Qty
1	1801500	Chassis	1
2	1801035	Chassis Rear Cover	1
2A	Z11-02-081	8mm (1" O.D.) Mud Washer	8
2B	Z26-040S	M8 x 25mm Hex Set	4
2C	Z23-08	8mm Locknut	4



- 1. Chassis Assembly
  - 1.1 Axle Mounting
  - 1.2 Bumper Assembly
  - 1.3 Bale Stops
  - 1.4 Hyddraulic Components
  - 1.5 Chassis Rollers
  - 1.6 Chassis Guards
  - 1.7 Drawbar Assembly

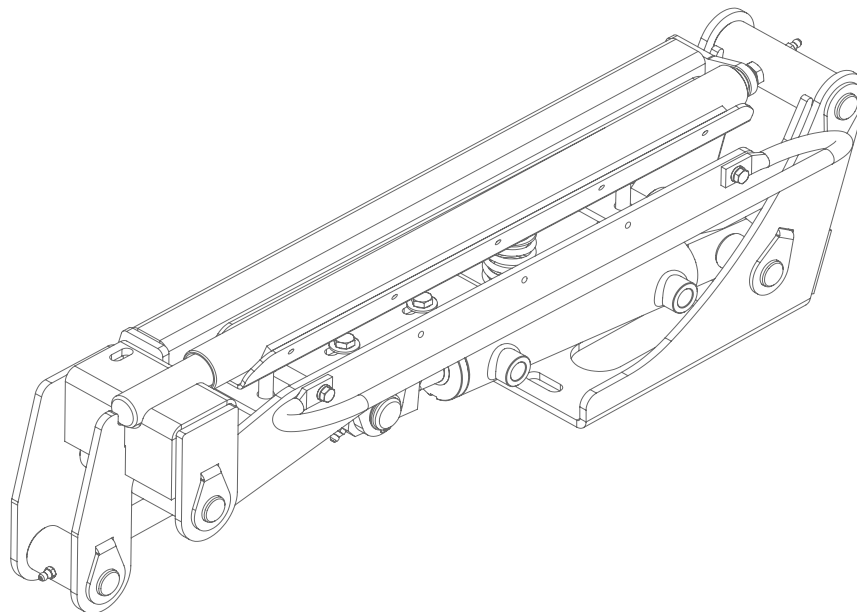


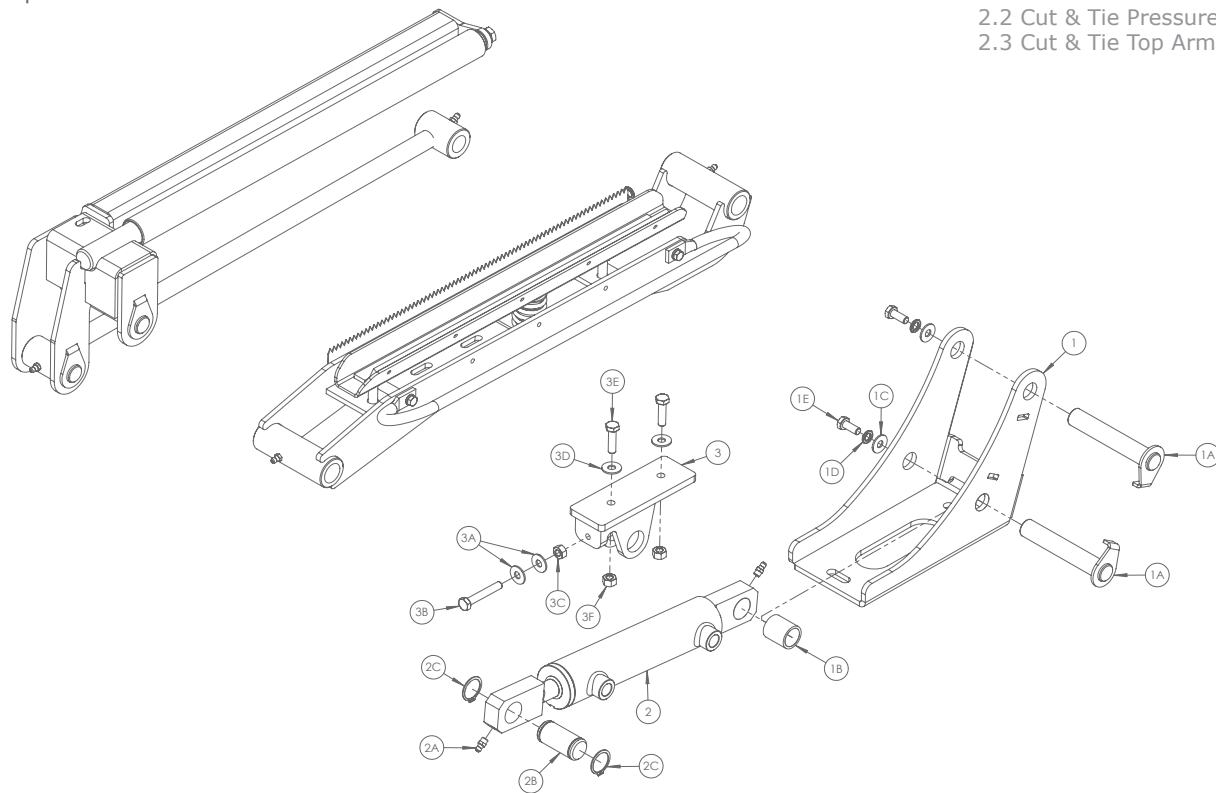
Item No	Part No	Description	Qty
1	1801970	Drawbar Section 1	1
1A	1801171	Stabilizing Foot Pin	
1B	34101100	Drawbar Pin	1
1C	Z03-22-06	7/16" Dia Linch Pin	3
1D	34060800	M8 x 1.25 Grease Nipple	3
1E	Z03-20-29	DX Bush 60mm ID X 60mm Long	3
2	1801930	Film Holder	1
2A	Z32-081	2 3/8" Tube Internal Cap	
2B	Z11-02-101	M10 Mudwasher	
2C	Z12-02-10	M10 Springwasher	
2D	Z26-060S	M10 x 20mm Hex Set	
3	1801974	Drawbar Stabilizing Leg	
4	34240023	Stabilizing Leg Plate	
4A	Z10-02-20	M20 Flat Washer	
4B	Z26-171B	M20 x 180mm Hex Bolt	
4C	Z23-20	20mm Locknut	

Item No	Part No	Description	Qty
5	1801980	Horizontal Linkage Bracket	1
5A	1801163	Linkage Bracket Pivot Pin	1
5B	Z10-02-10	M10 Flat Washer	1
5C	Z23-10	10mm Locknut	1
5D	1801965	Hose & Cable Guide	1
6	1801990	Vertical Linkage Bracket	1
6A	1801167	Linkage Bracket Pivot Pin	1
6B	34060800	M8 x 1.25 Grease Nipple	1
6C	Z03-22-07	3/8" Curved Linch Pin	1
6D	Z10-02-10	M10 Flat Washer	1
6E	Z12-02-10	M10 Spring Washer	1
6F	Z26-0611S	M10 x 25mm Hex Set	1
6G	Z03-20-29	DX Bush 60mm ID X 60mm Long	2

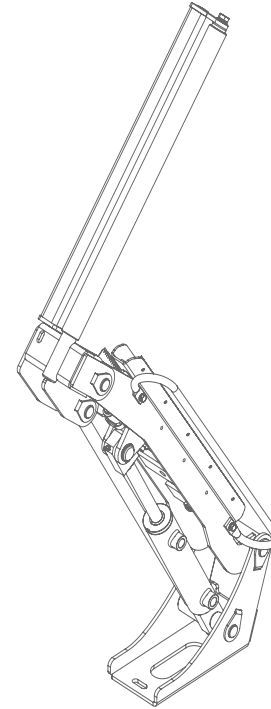
Tanco Autowrap - 1814  
Spare Parts Manual

2. Professional Cut & Tie Assembly  
2.1 Cut & Tie Base Assembly  
2.2 Cut & Tie Pressure Arm Assembly  
2.3 Cut & Tie Top Arm Assembly

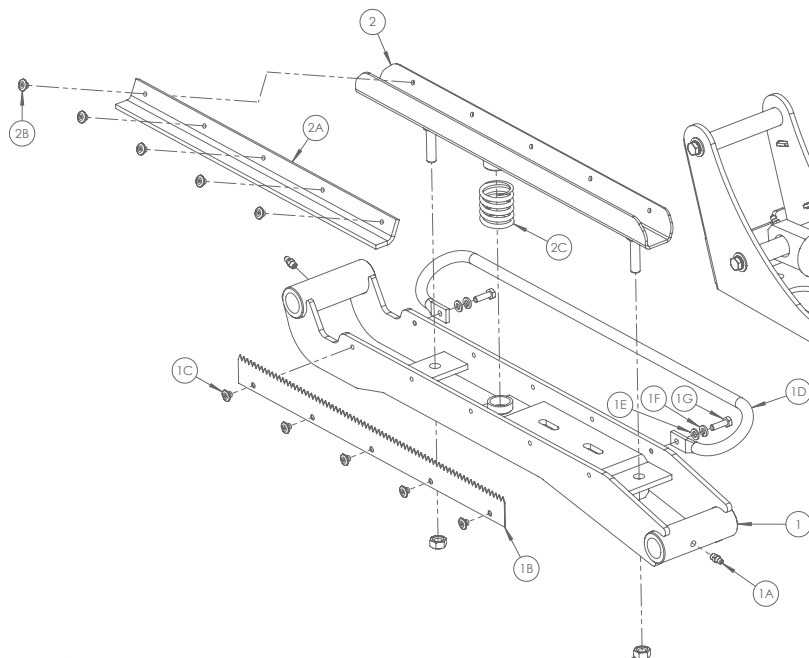
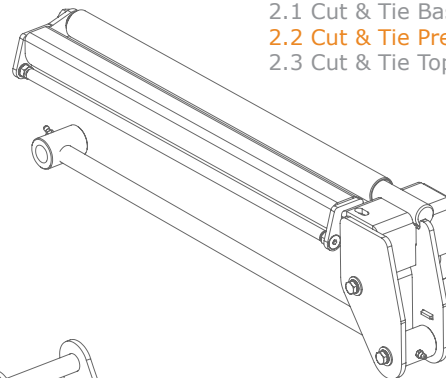




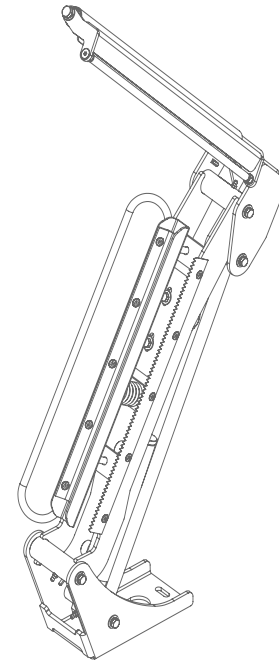
Item No	Part No	Description	Qty
1	1406060	Cut & Tie Base	1
1A	1406080	Cut & Tie Pin (Long)	2
1B	1406035	Ram Spacer	1
1C	Z11-02-081	8mm Mud Washer	2
1D	Z12-02-08	8mm Spring Washer	2
1E	Z26-039S	M8 x 20mm Hex Set	2
2	1308151	Cut & Tie Ram	1
2A	34060800	M8 x 1.25 Grease Nipple	2
2B	34105631	Ram Mounting Pin	1
2C	Z28-525	M25 External Circlip	2
3	34920525	Cut & Tie Casting	1
3A	Z11-02-081	8mm Mud Washer	2
3B	Z26-045S	M8 x 50mm Hex Set	1
3C	Z18-08	8mm Plain Hex Nut	1
3D	Z11-02-081	8mm Mud Washer	2
3E	Z26-041S	M8 x 30mm Hex Set	2
3F	Z23-08	8mm Hex Nut	2



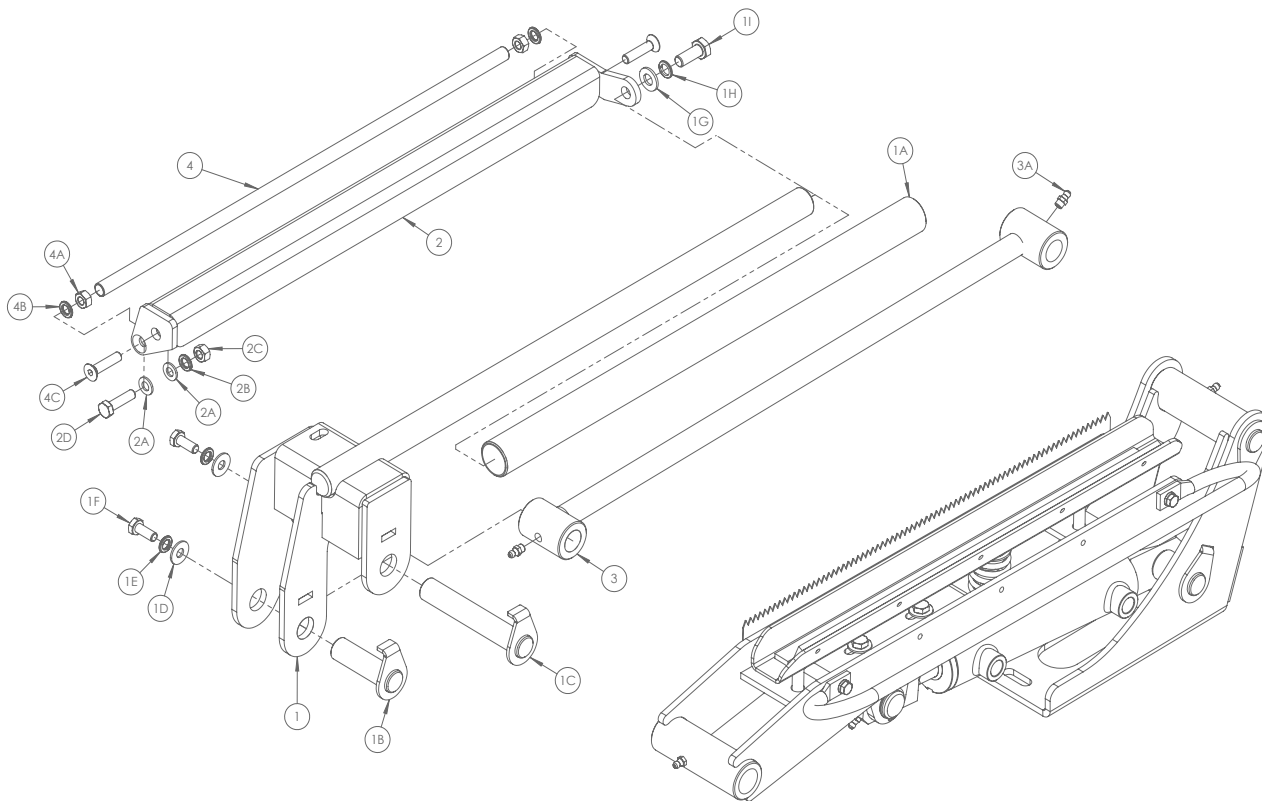
- 2. Professional Cut & Tie Assembly
- 2.1 Cut & Tie Base Assembly
- 2.2 Cut & Tie Pressure Arm Assembly
- 2.3 Cut & Tie Top Arm Assembly



Item No	Part No	Description	Qty
1	1406112	Cut & Tie Lift Arm	1
1A	34060800	M8 x 1.25 Grease Nipple	2
1B	1406074	Cut & Tie Balde	1
1C	Z03-25-05	Pop Rivet	5
1D	1406075	Film Gathering Bar	1
1E	Z10-02-06	6mm Flat Washer	2
1F	Z12-02-06	6mm Spring Washer	2
1G	Z26-0205	M6 x 20mm Hex Set	2
2	1406101	Pressure Plate	1
2A	1406706	Rubber Strip	1
2B	Z03-25-05	Pop Rivet	5
2C	1406078	Pressure Spring	1
2D	Z23-10	10mm Locknut	2

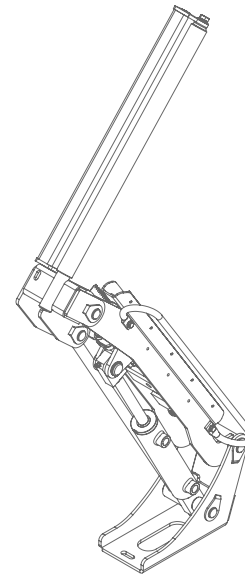






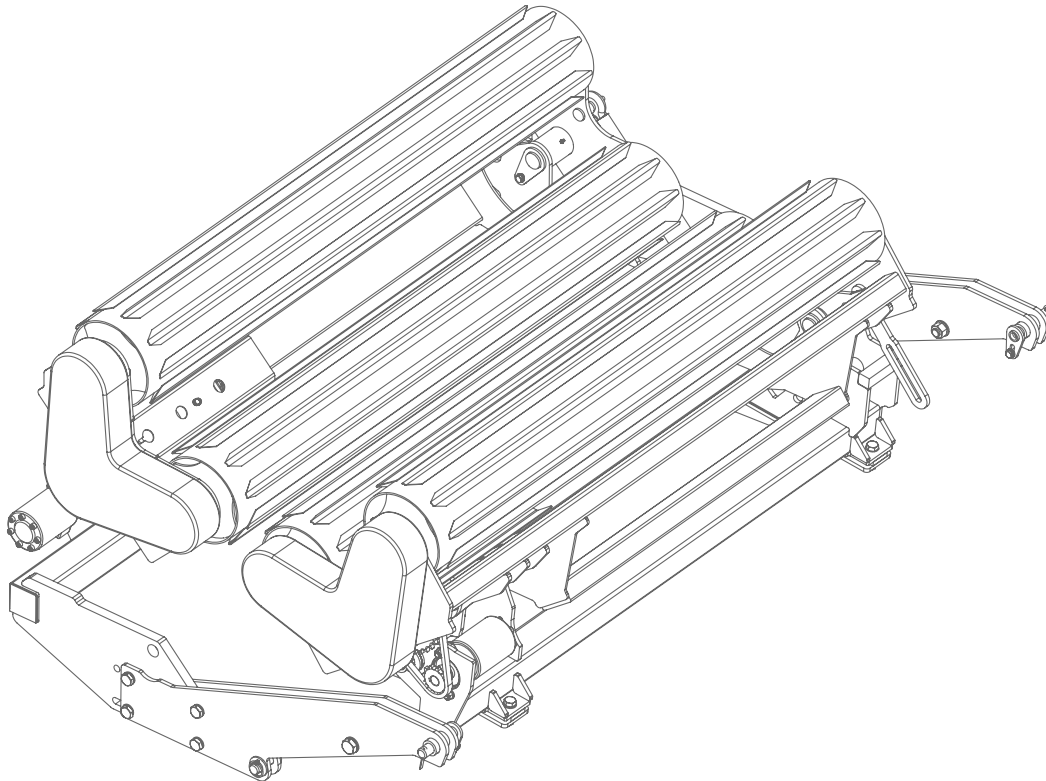
Item No	Part No	Description	Qty
1	1406113	Pull Down Arm	1
1A	1406077	Knurled Roller	1
1B	1406085	Cut & Tie Pin (Short)	1
1C	1406080	Cut & Tie Pin (Long)	1
1D	Z11-02-081	8mm Mud Washer	2
1E	Z12-02-08	8mm Spring Washer	2
1F	Z26-039S	M8 x 20mm Hex Set	2
1G	Z10-02-10	10mm Flat Washer	1
1H	Z12-02-10	10mm Spring Washer	1
1I	Z26-0611S	M10 x 25mm Hex Set	1
2	1406065	Top Arm	1
2A	Z10-02-08	8mm Flat Washer	2
2B	Z12-02-08	8mm Spring Washer	2
2C	Z18-08	8mm Plain Hex Nut	1
2D	Z26-041S	M8 x 30mm Hex Set	1
3	1406102	Connecting Arm	1
3A	34060800	M8 x 1.25 Grease Nipple	2

Item No	Part No	Description	Qty
4	1406068	Film Roller	1
4A	Z18-08	8mm Plain Hex Nut	2
4B	Z12-02-08	8mm Spring Washer	2
4C	Z13-5-08X35	M8 x 35mm CSK AH Set	2

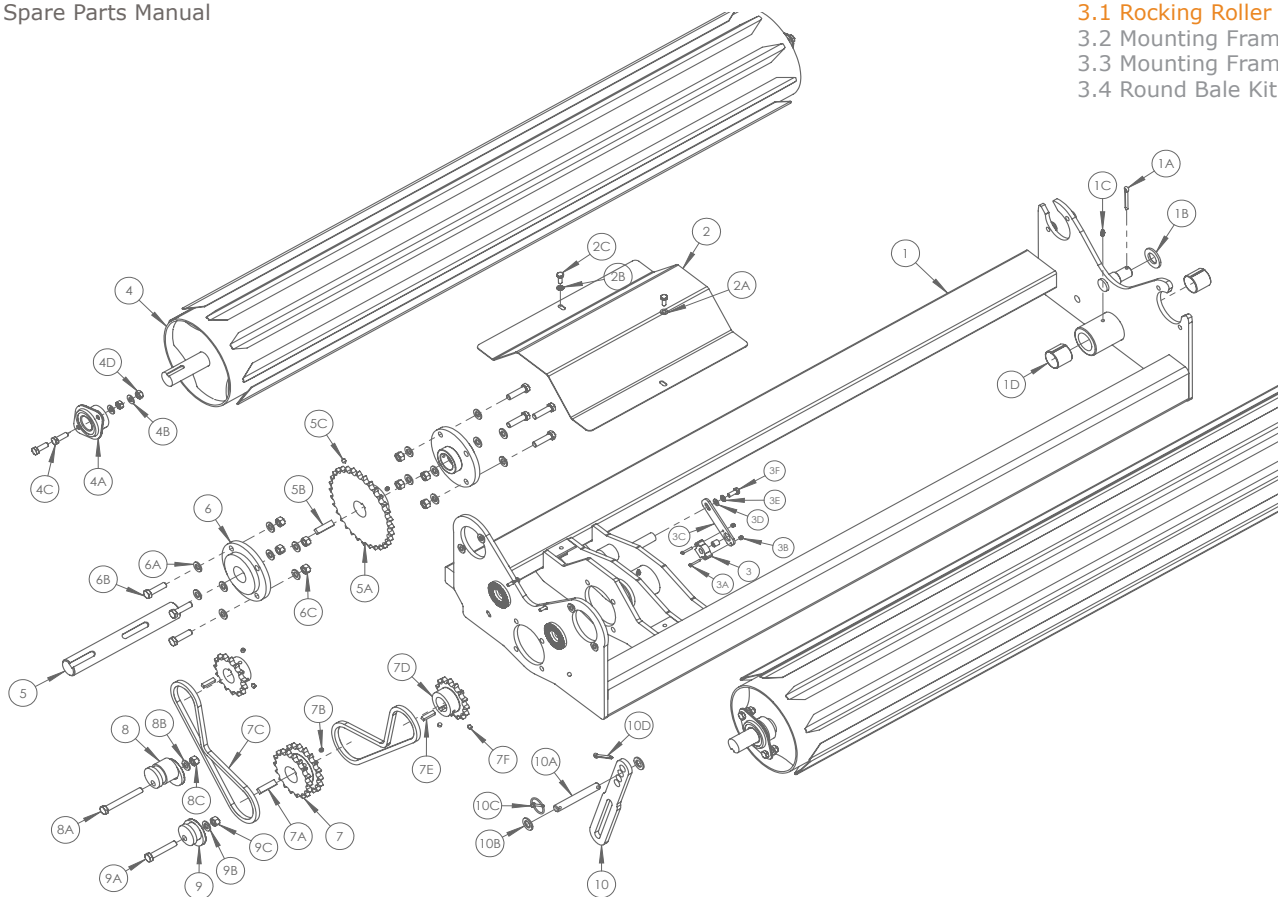


Tanco Autowrap - 1814  
Spare Parts Manual

**3. Rocking Rollers**  
3.1 Rocking Roller Assembly  
3.2 Mounting Frame (Left)  
3.3 Mounting Frame (Right)  
3.4 Round Bale Kit

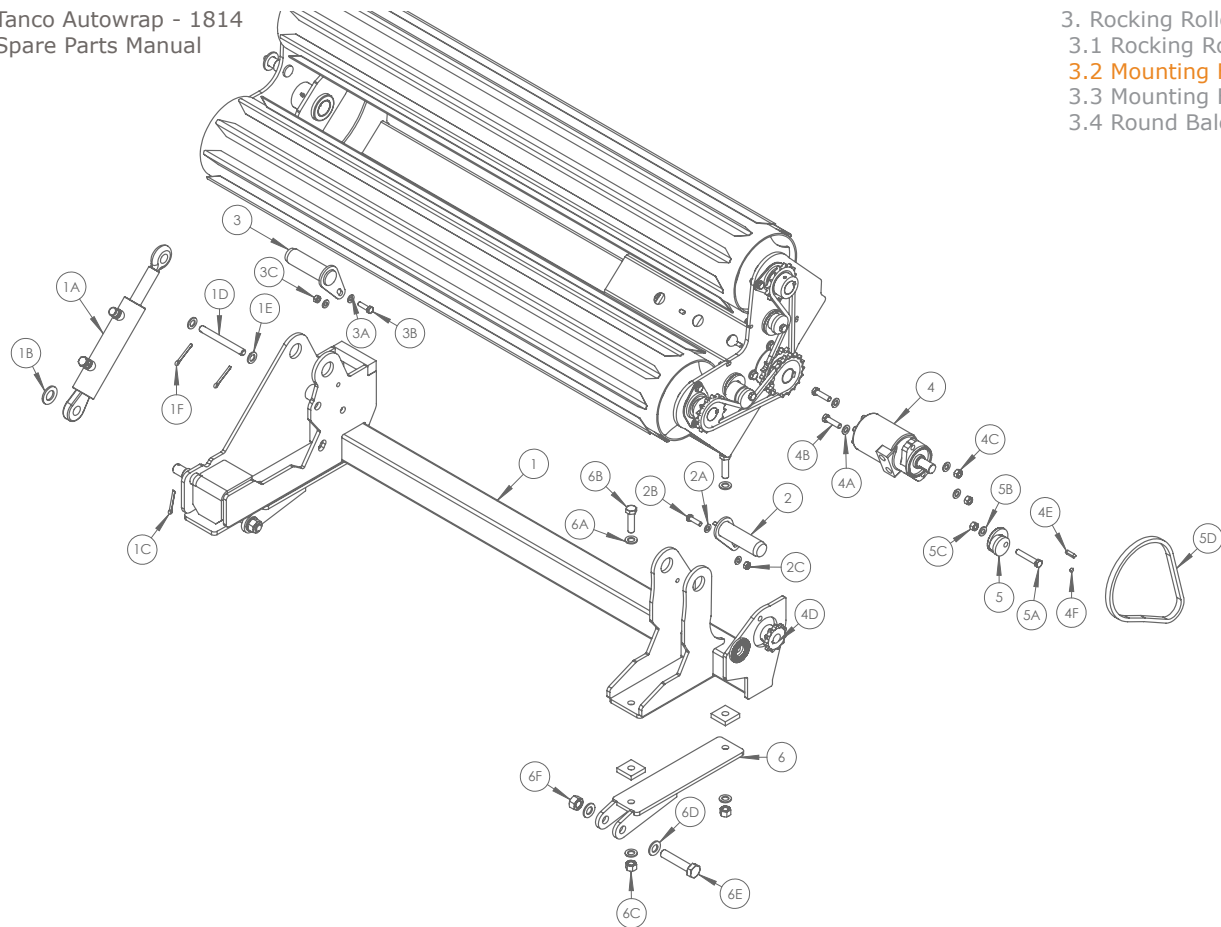


- 3. Rocking Rollers
- 3.1 Rocking Roller Assembly
- 3.2 Mounting Frame (Left)
- 3.3 Mounting Frame (Right)
- 3.4 Round Bale Kit



Item No	Part No	Description	Qty
1	1804560	Rocking Roller Frame (Left)	1
1A	Z03-21-29	1/4" Dia X 2" - Split Pin	1
1B	Z10-02-25	25mm Flat Washer	1
1C	34060800	M8 x 1.25 Grease Nipple	2
1D	Z03-20-27	DX Bush 40mm ID x 40mm Long	4
2	1804316	Sprocket & Chain Guard	1
2A	Z10-02-08	8mm Flat Washer	3
2B	Z12-02-08	8mm Spring Washer	1
2C	Z26-039S	M8 x 20mm Hex Set	2
3	1804390	Loading Sensor	1
3A	Z26-007S	M4 x 25 Allen Head Set	2
3B	Z23-04	4mm Locknut	2
3C	1804393	Loading Sensor Mount	1
3D	Z10-02-08	8mm Flat Washer	1
3E	Z12-02-08	8mm Spring Washer	1
3F	Z26-039S	M8 x 20mm Hex Set	1
4	1804210	Gripped Roller	2
4A	1804101	35mm Bearing (SA207)	4
4B	Z10-02-10	10mm Flat Washer	16
4C	Z26-062S	M10 x 30mm Hex Set	8
4D	Z23-10	10mm Locknut	8
5	1804314	Rocking Roller Shaft	1
5A	1804315	3/4" x 32 Tooth Sprocket	1
5B	34270101	12mm x 8mm x 45 Key Steel	1
5C	Z28-008	M8 x 10mm Grub Screw	2

Item No	Part No	Description	Qty
6	1804327	40mm Stepped Housing Bearing	2
6A	Z10-02-12	12mm Flat Washer	16
6B	Z26-085S	M12 x 45 Hex Set	8
6C	Z23-12	12mm Locknut	8
7	1804002	3/4" x 18T Double Sprocket	1
7A	34270101	12mm x 8mm x 45 Key Steel	1
7B	Z28-008	M8 x 10mm Grub Screw	1
7C	34810834	46 Link 3/4" ASA60H	2
7D	1804110	15 T 3/4" Simplex Sprocket	2
7E	34270105	8mm x 7mm x 32 Key Steel	2
7F	Z28-008	M8 x 10mm Grub Screw	4
8	1504014	Chain Tensioner (High)	1
8A	Z26-092B	M12 x 100mm Hex Bolt	1
8B	Z10-02-12	12mm Flat Washer	1
8C	Z23-12	12mm Locknut	1
9	34810830	Chain Tensioner (Low)	1
9A	Z26-089B	M12 X 70mm Hex Bolt	1
9B	Z10-02-12	12mm Flat Washer	1
9C	Z23-12	12mm Locknut	1
10	34240032	Rocking Roller Stop Profile	1
10A	34240073	Rocking Roller Stop Pin	1
10B	Z10-02-16	16mm Flat Washer	2
10C	Z03-22-03	1/4" Dia Linch Pin	1
10D	Z03-21-29	1/4" Dia X 2" - Split Pin	1



- 3. Rocking Rollers
- 3.1 Rocking Roller Assembly
- 3.2 Mounting Frame (Left)
- 3.3 Mounting Frame (Right)
- 3.4 Round Bale Kit

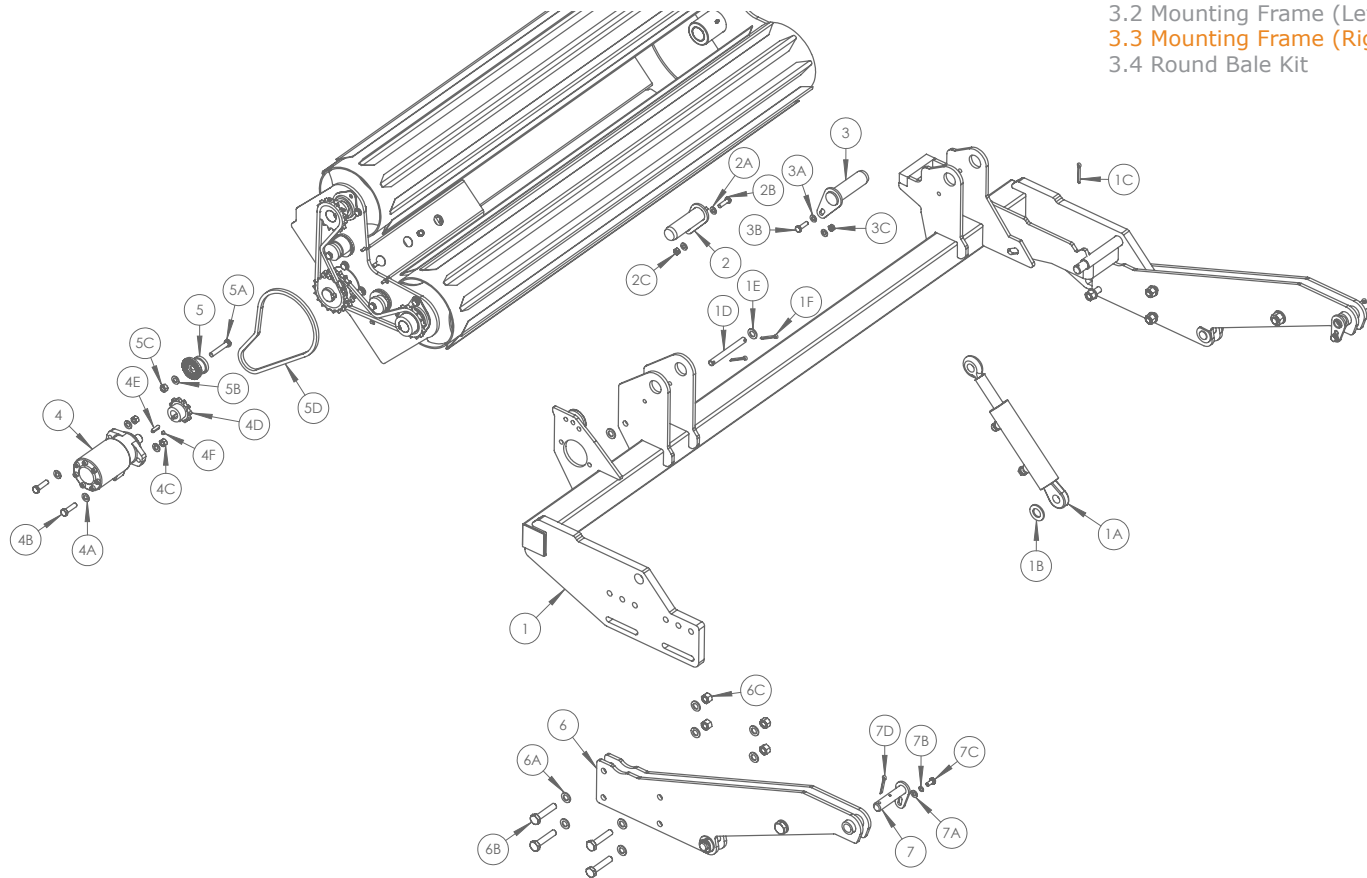


Item No	Part No	Description	Qty
1	1804370	Rocking Roller Mount Frame	1
1A	34240030	Roller Levelling Cylinder	1
1B	Z10-02-25	25mm Flat Washer	1
1C	Z03-21-29	1/4" Dia X 2" - Split Pin	1
1D	1804340	Rocking Roller Stay Pin	1
1E	Z10-02-16	16mm Flat Washer	2
1F	Z03-21-29	1/4" Dia X 2" - Split Pin	2
2	1804380	Rotation Sensor Pin	1
2A	Z10-02-10	10mm Flat Washer	1
2B	Z26-063S	M10 x 35mm Hex Set	1
2C	Z23-10	10mm Locknut	1
3	1804320	Rocking Roller Pivot Pin	1
3A	Z10-02-10	10mm Flat Washer	1
3B	Z26-063S	M10 x 35mm Hex Set	1
3C	Z23-10	10mm Locknut	1

Item No	Part No	Description	Qty
4	1508800	Roller Drive Motor	1
4A	Z10-02-12	12mm Flat Washer	4
4B	Z26-085B	M12 x 45mm Hex Set	2
4C	Z23-12	12mm Locknut	2
4D	1502098	11 T 3/4" Sprocket	1
4E	34270111	8mm x 7mm x 30mm Key Steel	1
4F	Z28-008	M8 x 10mm Grub Screw	1
5	34810831	Chain Tensioner (Low)	1
5A	Z26-089B	M12 x 70mm Hex Set	1
5B	Z10-02-12	12mm Flat Washer	1
5C	Z23-12	12mm Locknut	1
5D	Z09-AW-50	47 Link 3/4" (ASA60H)	1
6	1804360	Roller Frame Bolting Bracket	2
6A	Z10-02-16	16mm Flat Washer	8
6B	Z26-126B	M16 x 60mm Hex Bolt	4
6C	Z23-16	16mm Locknut	4
6D	Z10-02-20	20mm Flat Washer	4
6E	Z26-169B	M20 x 100mm Hex Set	2
6F	Z23-20	20mm Locknut	2

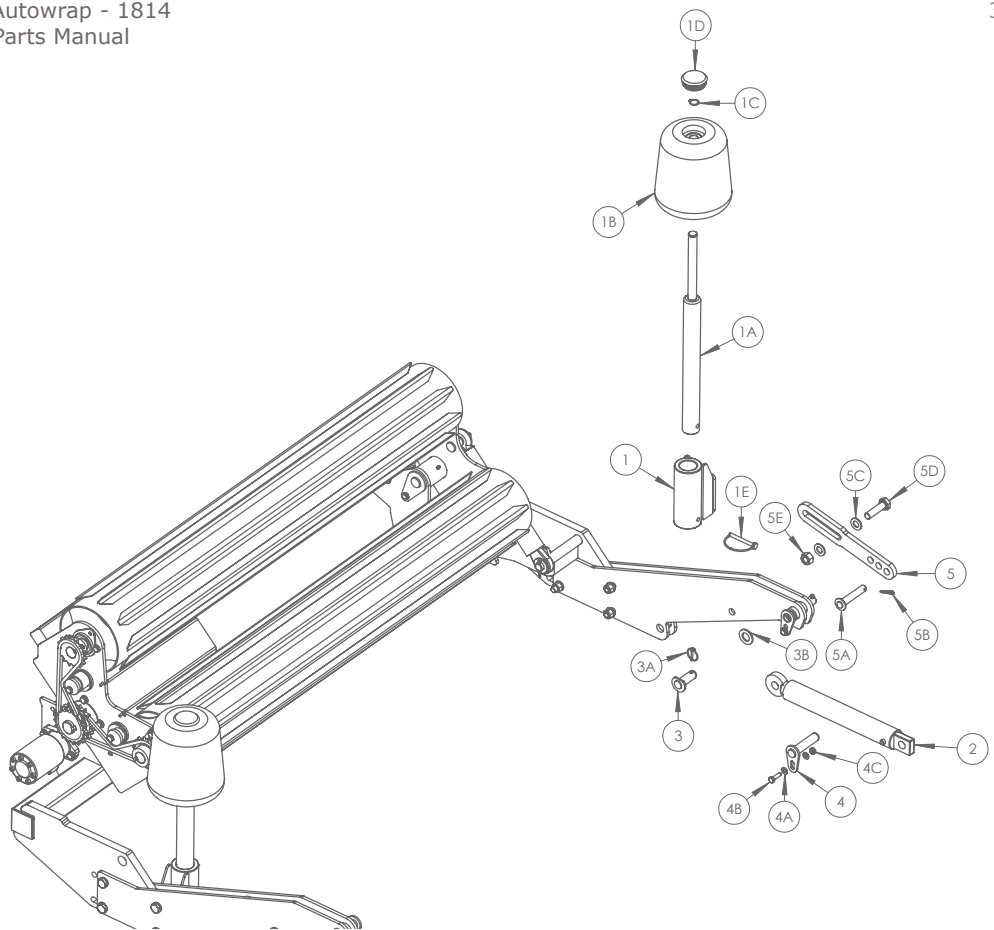


- 3. Rocking Rollers
- 3.1 Rocking Roller Assembly
- 3.2 Mounting Frame (Left)
- 3.3 Mounting Frame (Right)
- 3.4 Round Bale Kit



Item No	Part No	Description	Qty
1	1804350	Rocking Roller Tipping Frame	1
1A	34240030	Roller Levelling Cylinder	1
1B	Z10-02-25	25mm Flat Washer	1
1C	Z03-21-29	1/4" Dia X 2" - Split Pin	1
1D	1804340	Rocking Roller Stay Pin	1
1E	Z10-02-16	16mm Flat Washer	2
1F	Z03-21-29	1/4" Dia X 2" - Split Pin	2
2	1804380	Rotation Sensor Pin	1
2A	Z10-02-10	10mm Flat Washer	1
2B	Z26-063S	M10 x 35mm Hex Set	1
2C	Z23-10	10mm Locknut	1
3	1804320	Rocking Roller Pivot Pin	1
3A	Z10-02-10	10mm Flat Washer	1
3B	Z26-063S	M10 x 35mm Hex Set	1
3C	Z23-10	10mm Locknut	1
4	1508800	Roller Drive Motor	1
4A	Z10-02-12	12mm Flat Washer	4
4B	Z26-085B	M12 x 45mm Hex Set	2

Item No	Part No	Description	Qty
4C	Z23-12	12mm Locknut	1
4D	1502098	11 T 3/4" Sprocket	
4E	34270111	8mm x 7mm x 30mm Key Steel	1
4F	Z28-008	M8 x 10mm Grub Screw	2
			2
5	34810831	Chain Tensioner (Low)	
5A	Z26-089B	M12 x 70mm Hex Set	1
5B	Z10-02-12	12mm Flat Washer	1
5C	Z23-12	12mm Locknut	1
5D	Z09-AW-50	47 Link 3/4" (ASA60H)	1
6	1804395	Tipping Frame Bracket	1
6A	Z10-02-16	16mm Flat Washer	1
6B	Z26-1291S	M16 x 80mm Hex Set	1
6C	Z23-16	16mm Locknut	1
7	Z03-01-798	798 Pivot Pin	2
7A	Z10-02-10	10mm Flat Washer	2
7B	Z12-02-10	10mm Spring Washer	2
7C	Z26-060S	M10 x 20mm Hex Set	2



- 3. Rocking Rollers
- 3.1 Rocking Roller Assembly
- 3.2 Mounting Frame (Left)
- 3.3 Mounting Frame (Right)
- 3.4 Round Bale Kit

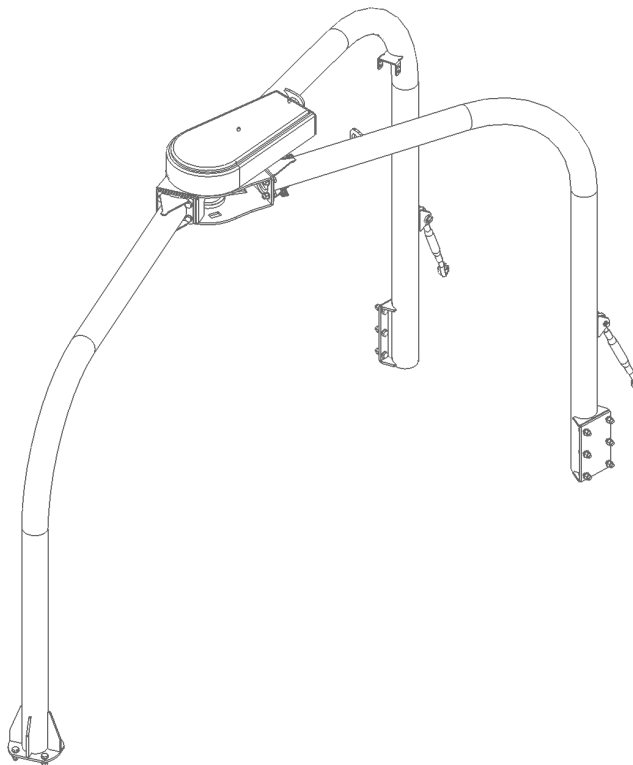


Item No	Part No	Description	Qty
1	1804270	Cone Roller Bracket	2
1A	1804261	Cone Roller Bracket Shaft	2
1B	Z06-AWR	Plastic Cone Roller	2
1C	Z28-525	M25 External Circlip	2
1D	Z06-AWRC65	Plastic Cone Roller Cap	2
1E	Z03-22-09	3/8" Curved Linch Pin	2
2	34001489	Roller Levelling Cylinder	2
3	1001202	Tip Cylinder Pin	2
3A	Z03-22-03	1/4" Dia Linch Pin	2
3B	Z10-02-25	25mm Flat Washer	2
4	1801175	Tipping Ram Pin	2
4A	Z10-02-10	10mm Flat Washer	4
4B	Z26-063S	M10 x 35mm Hex Set	2
4C	Z23-10	10mm Locknut	2

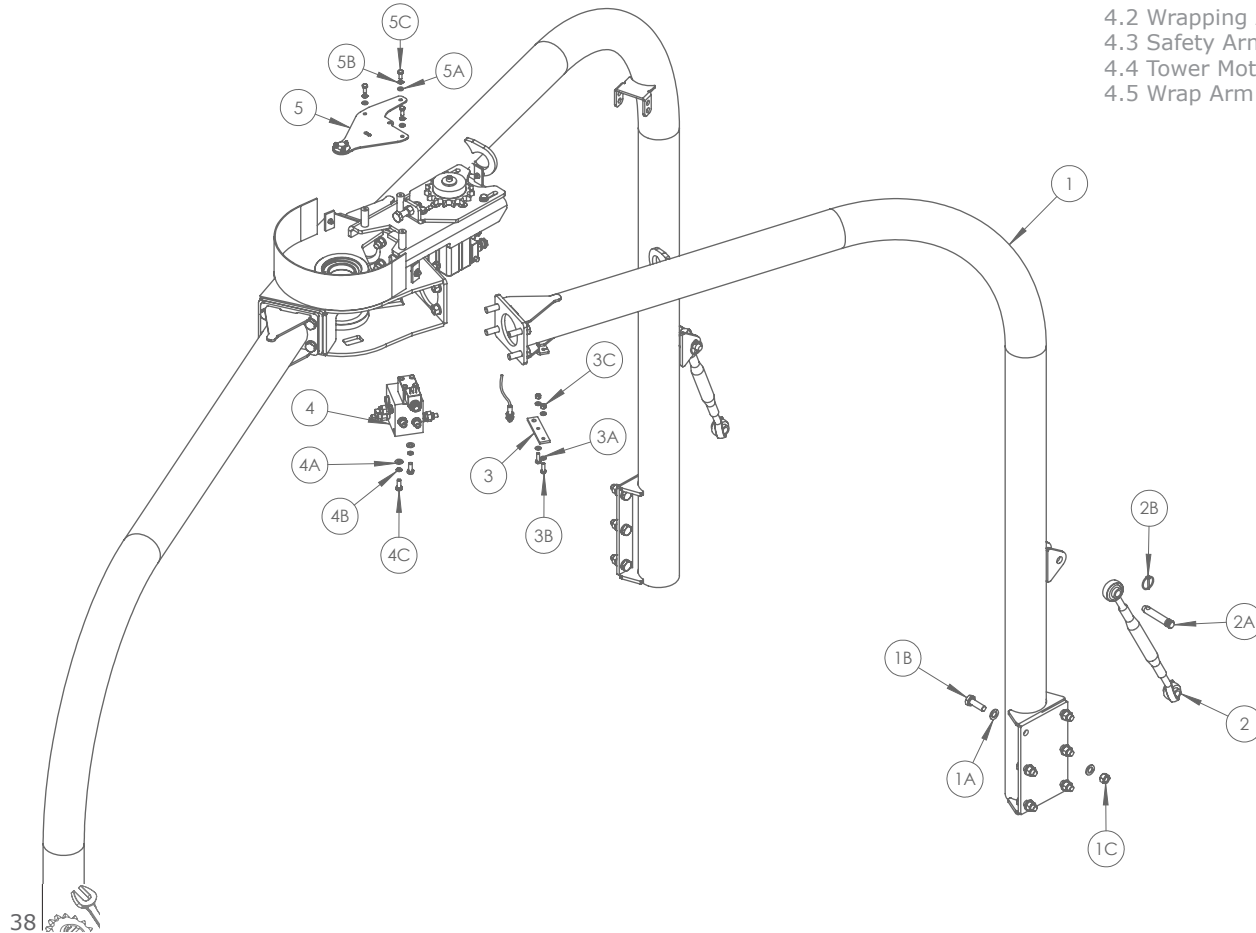
Item No	Part No	Description	Qty
5	1804365	Roller Frame Stop Profile	2
5A	1801173	Roller Frame Stop Pin	2
5B	Z03-22-03	1/4" Dia Linch Pin	2
5C	Z10-02-20	20mm Flat Washer	4
5D	Z26-166B	M20 x 75mm Hex Set	2
5E	Z23-20	20mm Locknut	2



- 4. Tower Assembly
  - 4.1 Tower Mounting
  - 4.2 Wrapping Arm
  - 4.3 Safety Arm
  - 4.4 Tower Motor
  - 4.5 Wrap Arm Mounting
  - 4.6 Wrap Arm Drive



- 4. Tower Assembly
- 4.1 Tower Mounting
- 4.2 Wrapping Arm
- 4.3 Safety Arm
- 4.4 Tower Motor
- 4.5 Wrap Arm Drive

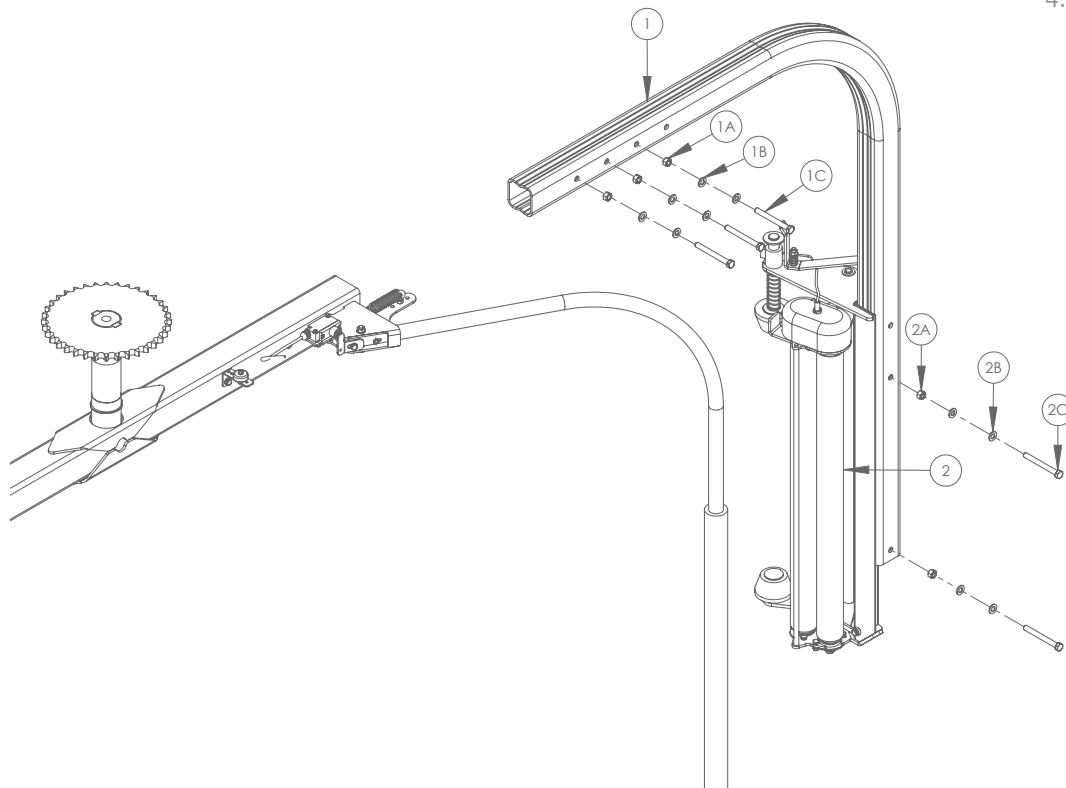


Item No	Part No	Description	Qty
1	1803060	Tower Assembly (Left)	1
1A	Z10-02-16	16mm Flat Washer	56
1B	Z31B-064	2" X 5/8" Hex UNF Set	28
1C	Z20-10	5/8" Locknut (UNF)	28
2	1206650	Top Link 16"	2
2A	Z03-04-73	Top Link Pin	2
2B	Z03-22-06	7/16" Dia Linch Pin	2
3	1801835	Sensor Mounting Bracket	1
3A	Z10-02-08	8mm Flat Washer	4
3B	Z26-0405	M8 x 25mm Hex Set	2
3C	Z23-08	8mm Locknut	2
4	1308180	Tower Block	1
4A	Z10-02-10	10mm Flat Washer	2
4B	Z12-02-10	10mm Spring Washer	2
4C	Z26-06115	M10 x 25mm Hex Set	2

Item No	Part No	Description	Qty
5	1803351	Slip Ring Mount	1
5A	Z10-02-08	8mm Flat Washer	3
5B	Z12-02-08	8mm Spring Washer	3
5C	Z26-039S	M8 x 20mm Hex Set	3

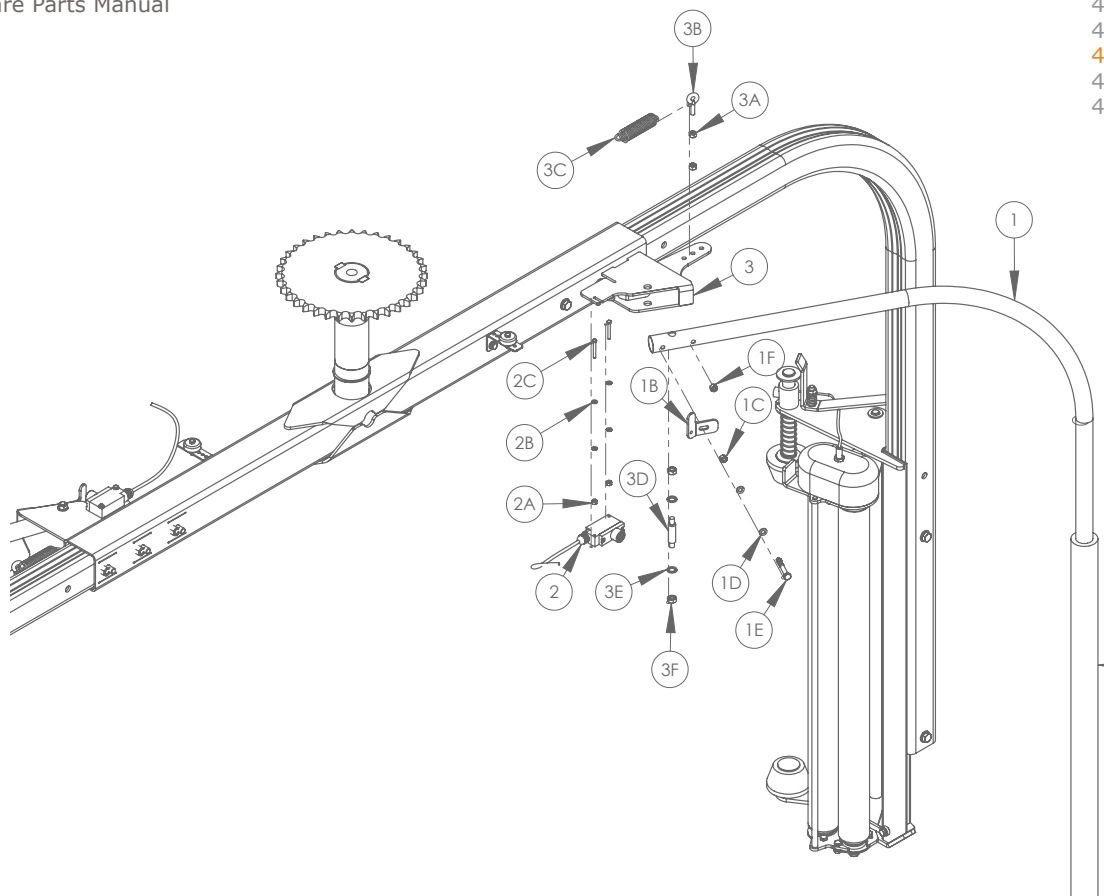


- 4. Tower Assembly
- 4.1 Tower Mounting
- 4.2 Wrapping Arm
- 4.3 Safety Arm
- 4.4 Tower Motor
- 4.5 Wrap Arm Drive



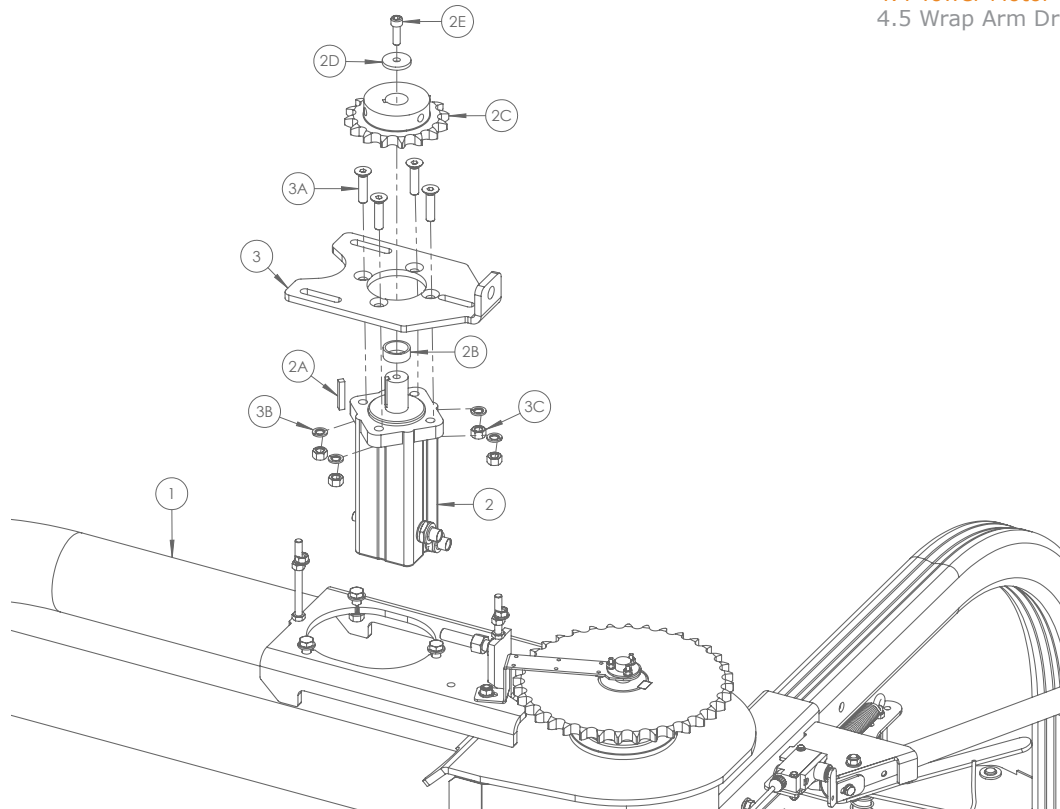
Item No	Part No	Description	Qty
1	1805372	Wrap Arm	2
1A	Z23-12	12mm Locknut	6
1B	Z10-02-12	12mm Flat Washer	12
1C	Z26-093B	M12 x 110mm Hex Bolt	6
2	1405150	Dispenser Assembly	2
2A	Z23-12	12mm Locknut	4
2B	Z10-02-12	12mm Flat Washer	8
2C	Z26-093B	M12 x 110mm Hex Bolt	4
2	1404009	Dispenser Mounting Arm	1
2A	Z10-02-12	12mm Flat Washer	10
2B	Z23-093B	M12 x 110mm Hex Bolt	3
2C	Z26-092S	M12 x 100mm Hex Set	2

- 4. Tower Assembly
- 4.1 Tower Mounting
- 4.2 Wrapping Arm
- 4.3 Safety Arm
- 4.4 Tower Motor
- 4.5 Wrap Arm Drive



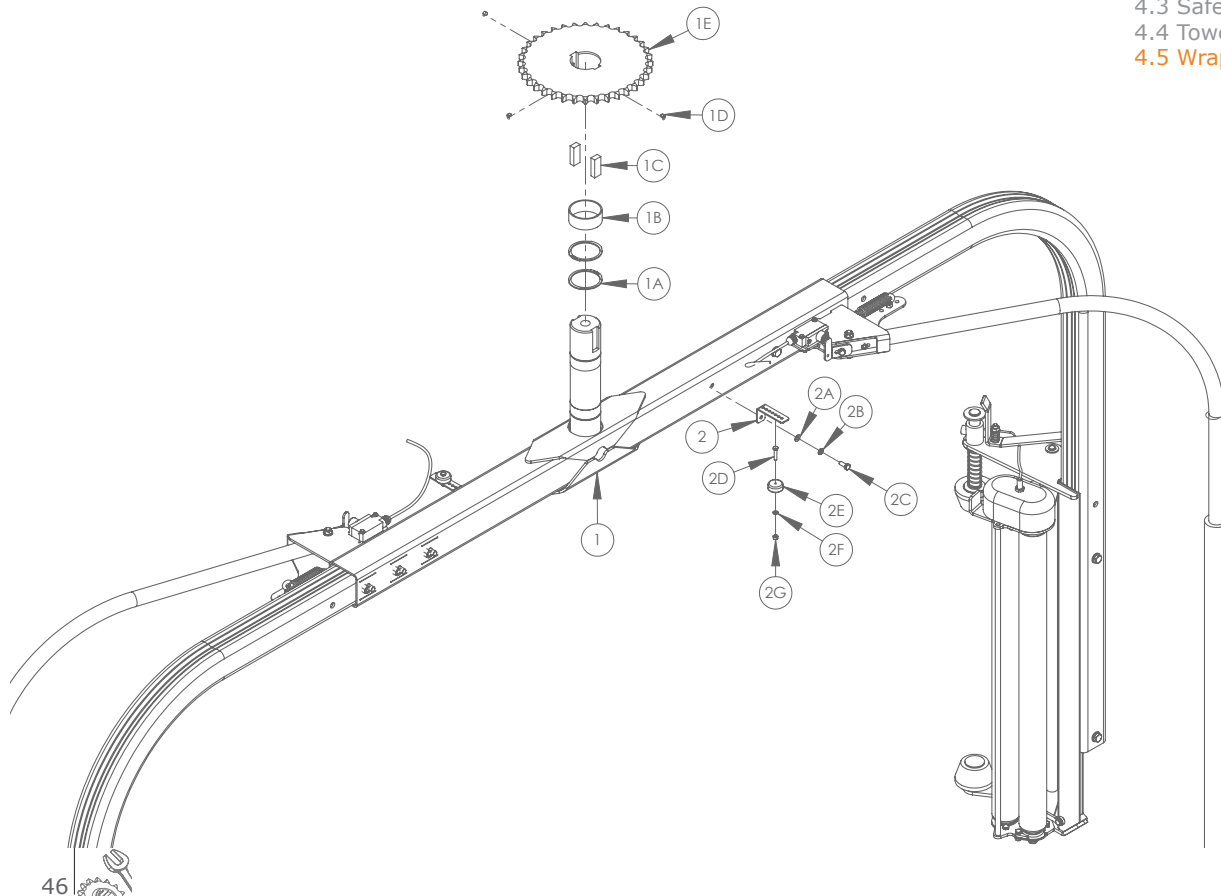
Item No	Part No	Description	Qty
1	1805105	Safety Arm	2
1A	34480020	Rubber Buffer	2
1B	1404013	Safety Arm Bracket	2
1C	Z23-08	8mm Locknut	2
1D	Z10-02-08	8mm Flat Washer	4
1E	Z26-047B	M8 x 60mm Hex Bolt	2
1F	Z23-08	8mm Locknut	2
2	34950179	Safety Switch	2
2A	Z23-05	5mm Locknut	4
2B	Z10-02-05	5mm Flat Washer	8
2C	Z26-0173S	M5 x 40mm Hex Set	4
3	1805370	Rotating Arm	2
3A	34230400	8mm Locknut	4
3B	34119043	Eye Bolt (M8 x 25mm)	2
3C	34430300	Pull Spring (Ø 26 x 3.25 x 12)	2
3D	34105651	Hinge Bolt	2
3E	Z10-02-10	10mm Flat Washer	4
3F	Z23-10	10mm Locknut	4

- 4. Tower Assembly
  - 4.1 Tower Mounting
  - 4.2 Wrapping Arm
  - 4.3 Safety Arm
  - 4.4 Tower Motor
  - 4.5 Wrap Arm Drive



Item No	Part No	Description	Qty
1	1803060	Tower Assembly (Left)	1
2	Z01-02-RF200	Tower Motor	1
2A	1503172	Motor Spacer	1
2B	1404015	16 Tooth 1" Sprocket	1
2C	WD623-071	1 1/2" Collar	1
2D	Z13-4-32	1 1/4" x 3/8"UNC Socket Cap SC	1
3	1503247	Motor Mounting Plate	1
3A	Z13-5-12X50	M12 x 50 C.S.K. Allen Set	4
3B	Z12-02-12	12mm Spring Washer	4
3C	Z23-12	12mm Locknut	4

- 4. Tower Assembly
- 4.1 Tower Mounting
- 4.2 Wrapping Arm
- 4.3 Safety Arm
- 4.4 Tower Motor
- 4.5 Wrap Arm Drive

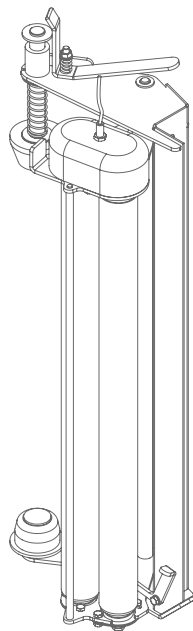


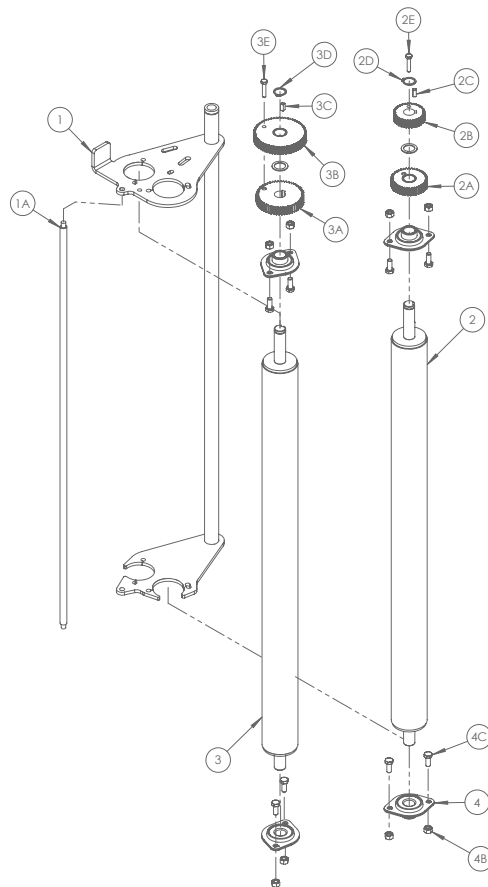
Item No	Part No	Description	Qty
1	1805370	Rotating Arm	1
1A	1404053	External Circlip (Dia 67mm)	2
1B	1403075	Bearing	1
1C	1404024	Key Steel 20 x 12 x 50mm	2
1D	Z28-008	M8 x 10mm Grub Screw	3
1E	1404010	36 T Sprocket	1
2	1801836	Magnet Mount	2
2A	Z10-02-08	8mm Flat Washer	2
2B	Z12-02-08	8mm Spring Washer	2
2C	Z26-039S	M8 x 20mm Hex Set	2
2D	Z26-022S	M6 x 30mm Hex Set	2
2E	1309201	Sensor Magnet	2
2F	Z10-02-06	6mm Flat Washer	2
2G	Z23-06	6mm Locknut	2



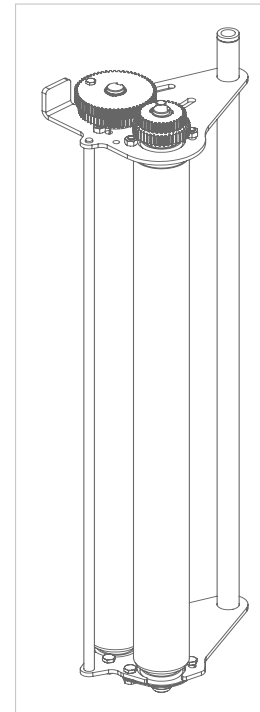
Tanco Autowrap - 1814  
Spare Parts Manual

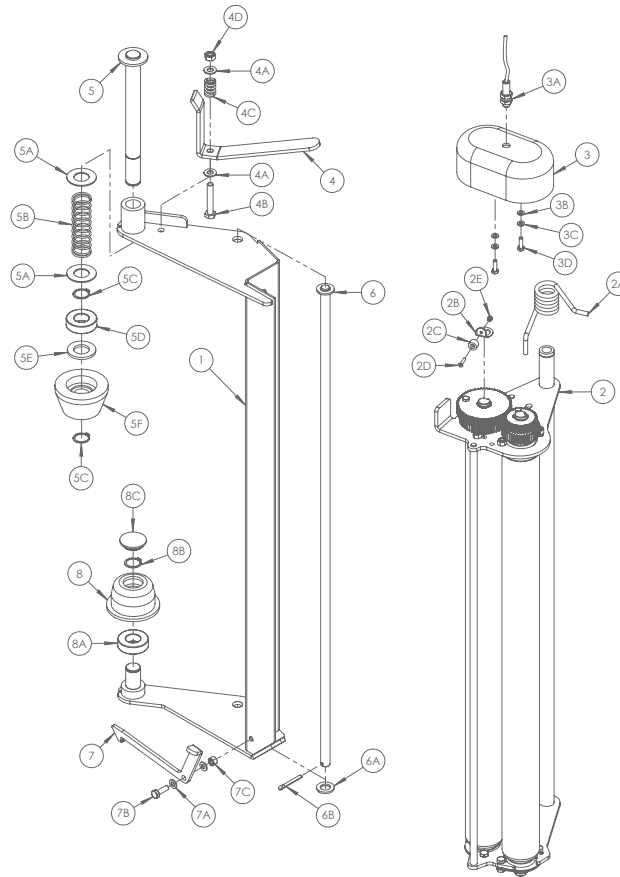






Item No	Part No	Description	Qty
1	1505001	Roller Mounting Frame	1
1A	1305035	Film Seperating Roller	1
2	1305120	Inner Roller	1
2A	1305104	37 Tooth Gear	1
2B	1305102	35 Tooth Gear	1
2C	1305123	6mm Square Key Steel (15mm Long)	1
2D	Z28-520	20mm External Cir-Clip	1
2E	Z26-0225	M6 x 30mm Hex Set	1
3	1305121	Outer Roller	1
3A	1305101	60 Tooth Gear	1
3B	1305103	58 Tooth Gear	1
3C	1305123	6mm Square Key Steel (15mm Long)	1
3D	Z28-520	20mm External Cir-Clip	1
3E	Z26-0225	M6 x 30mm Hex Set	1
4	1305122	Roller Bearing (SLFL20A)	4
4A	Z26-0395	M8 x 20mm Hex Set	8
4B	Z23-08	8mm Locknut	8

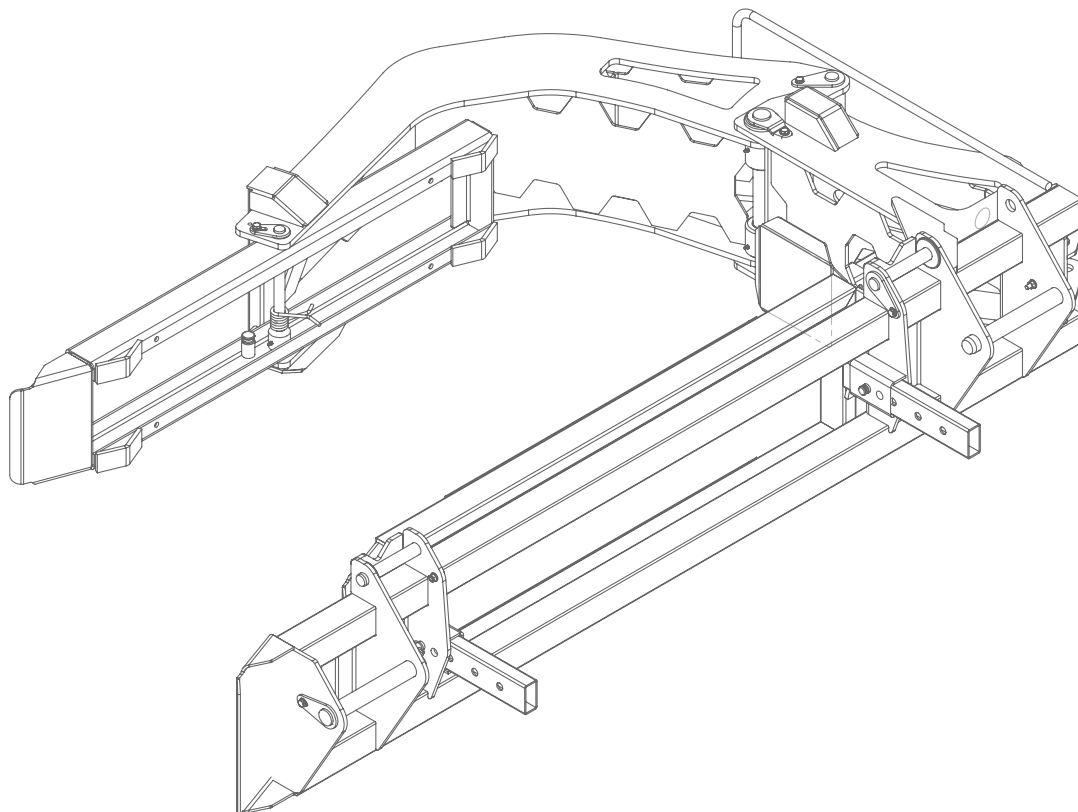




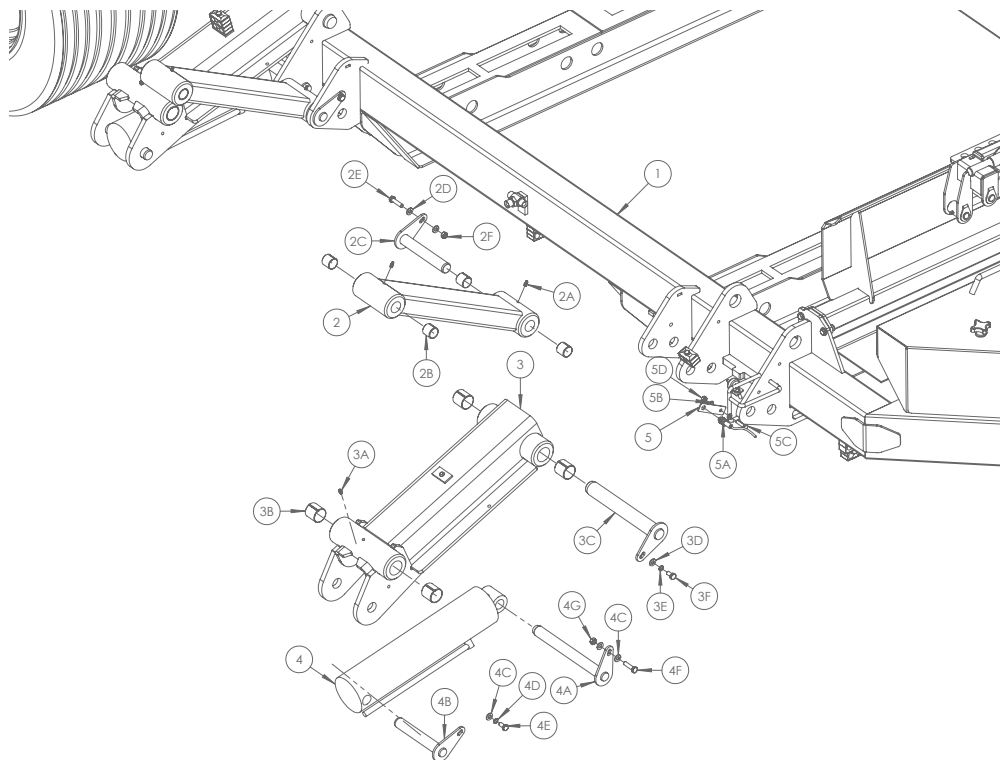
Item No	Part No	Description	Qty
1	1405100	Dispenser Frame	1
2	1305100B	Dispenser Insert (70/55%)	1
2A	1305034	Torsion Spring	1
2B	WD404-052	Magnet Mounting Bracket	1
2C	D606C-M	Sensot Magnet	1
2D	Z13-5-04X20	M4 x 20mm CSK Set	1
2E	Z23-04	4mm Locknut	1
3	1305125	Dispenser Gearbox Cover	1
3A	1309203	RDS Sensor (4m Cable)	1
3B	Z10-02-06	6mm Flat Washer	2
3C	Z12-02-06	6mm Spring Washer	2
3D	Z26-020S	M6 x 20mm Hex Set	2
4	1305026	Dispenser Top Latch	1
4A	Z10-02-10	10mm Flat Washer	2
4B	Z26-067B	M10 x 60mm Hex Bolt	1
4C	1305027	Top Latch Compression Spring	1
4D	Z23-10	10mm Locknut	1

Item No	Part No	Description	Qty
5	1305022	Dispenser Top Shaft	1
5A	Z11-02-25	25mm Flat Washer (Light Duty)	2
5B	1305021	Compression Spring	1
5C	Z28-525	25mm External Circlip	2
5D	Z06-AWRB	Ball Bearing (6205-ZZ LDK)	1
5E	Z10-02-25	25mm Flat Washer (Heavy Duty)	1
5F	1305019	Top Nylon Cone	1
6	1405007	Insert Mounting Pin	1
6A	Z10-02-16	16mm Flat Washer	1
6B	Z03-21-14	3/16" Split Pin (1 1/2" Long)	1
7	1405151	Dispenser Bottom Latch	1
7A	Z10-02-08	8mm Flat Washer	2
7B	Z26-040B	M8 x 25mm Hex Bolt	1
7C	Z23-08	8mm Locknut	1
8	1405006	Bottom Nylon Cone	1
8A	Z06-AWRB	Ball Bearing (6205-ZZ LDK)	1
8B	Z28-525	25mm External Circlip	1
8C	Z32-15F	1 1/4" NB Tube Insert (37mm)	1



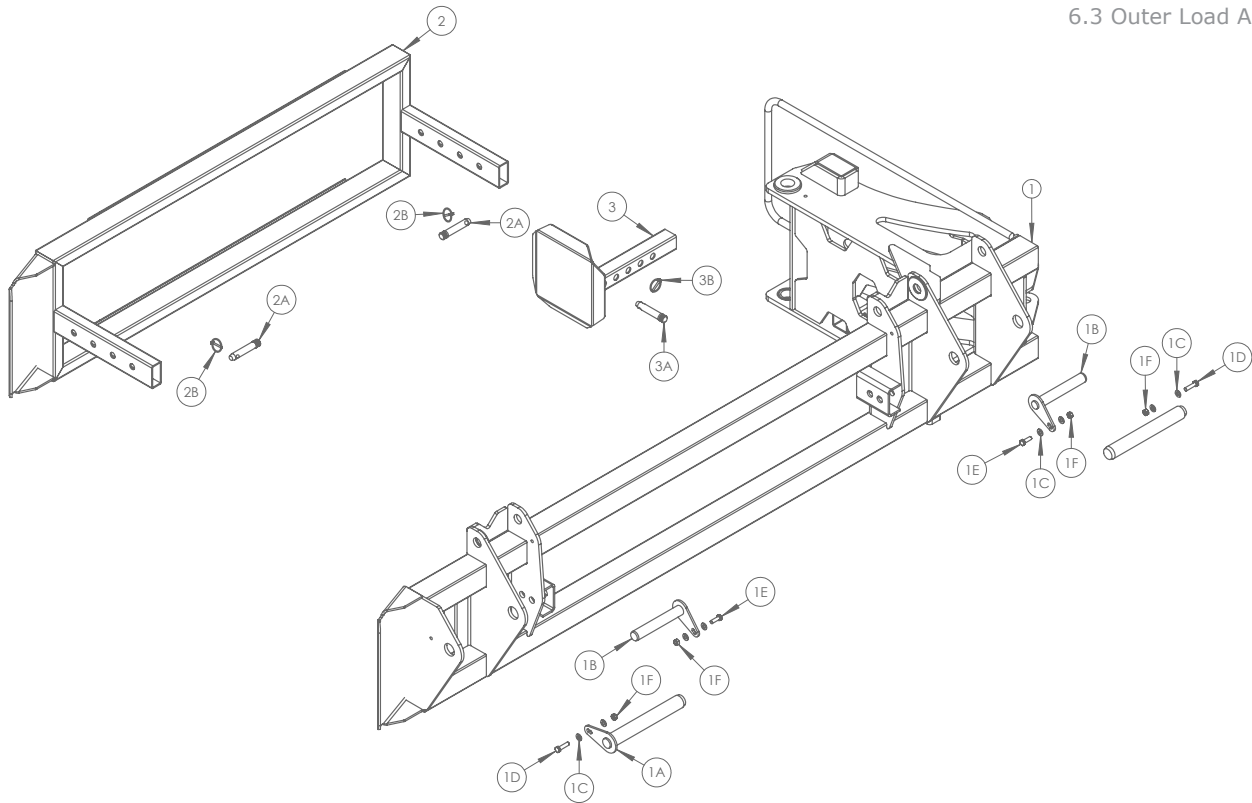






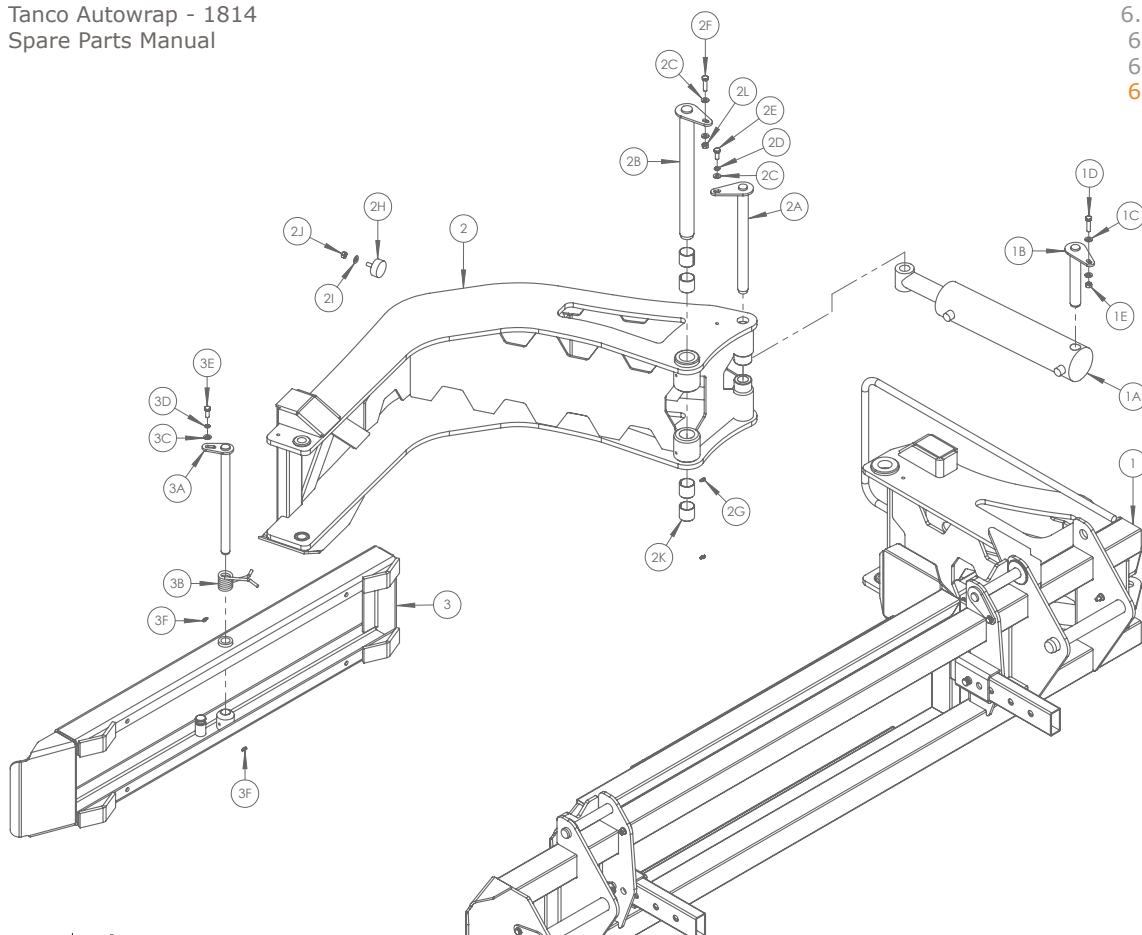
Item No	Part No	Description	Qty
1	1801500	Chassis	1
2	1802150	Loading Arm Linkage Bracket	1
2A	Z39-60	M8 x 1.25 Grease Nipple	2
2B	Z03-20-31	DX Bush 30mm ID X 30mm Long	4
2C	1801153	Linkage Bracket Pivot Pin	1
2D	Z10-02-10	10mm Flat Washer	2
2E	Z26-0645	M10 x 40mm Hex Set	1
2F	Z23-10	10mm Locknut	1
3	1802100	Loading Arm Linkage Bracket	1
3A	34060800	M8 x 1.25 Grease Nipple	2
3B	Z03-20-27	DX Bush 40mm ID x 40mm Long	4
3C	1801151	Linkage Bracket Pivot Pin	1
3D	Z10-02-10	10mm Flat Washer	1
3E	Z12-02-10	10mm Spring Washer	1
3F	Z26-0605	M10 x 20mm Hex Set	1
4	1808400	Loading Arm Ram	1
4A	1801152	Ram Mounting Pin	1
4B	1801153	Ram Mounting Pin	1
4C	Z10-02-10	10mm Flat Washer	3

Item No	Part No	Description	Qty
4D	Z12-02-10	10mm Spring Washer	1
4E	Z26-0605	M10 x 20mm Hex Set	1
4F	Z26-0645	M10 x 40mm Hex Set	1
4G	Z23-10	10mm Locknut	1
5	1801832	Sensor Mounting Bracket	1
5A	1309202	RDS Sensor	1
5B	Z10-02-08	8mm Flat Washer	2
5C	Z26-0425	M8 x 35mm Hex Set	1
5D	Z23-08	8mm Locknut	1
6	1801831	Magnet Mounting Bracket	1
6A	Z10-02-08	8mm Flat Washer	2
6B	Z26-0415	M8 x 30mm Hex Set	1
6C	Z23-08	8mm Locknut	1
7	1309201	Sensor Magnet	1
7A	Z26-0235	M6 x 35mm Hex Set	1
7B	Z10-02-06	6mm Flat Washer	1
7C	Z23-06	6mm Locknut	1
4F	Z26-0645	M10 x 40mm Hex Set	1
4G	Z23-10	10mm Locknut	1



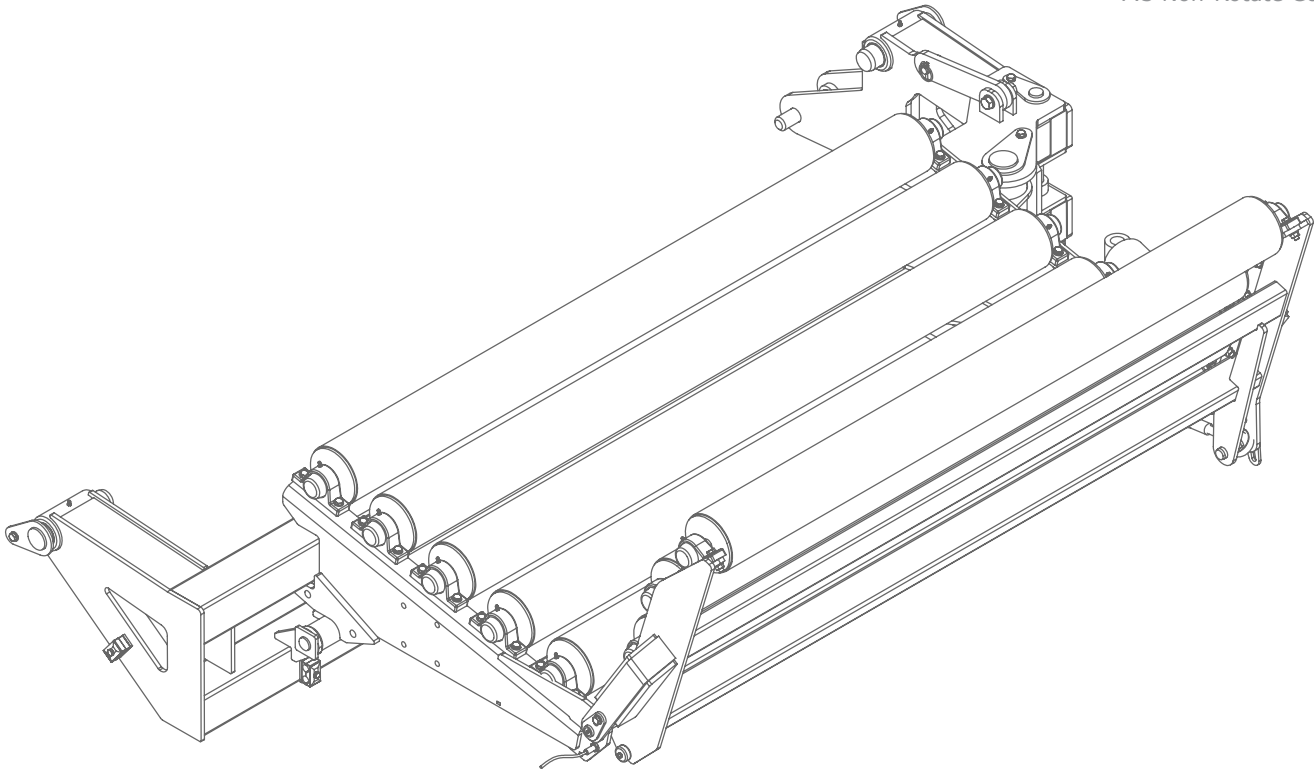
Item No	Part No	Description	Qty
1	1802300	Loading Arm Main Frame	1
1A	1801151	Loading Arm Pivot Pin A	2
1B	1801153	Loading Arm Pivot Pin B	2
1C	Z10-02-10	10mm Flat Washer	8
1D	Z26-064S	M10 x 40mm Hex Set	2
1E	Z26-062S	M10 x 30mm Hex Set	2
1F	Z23-10	10mm Locknut	4
2	1802550	Side Bale Stop	1
2A	Z03-04-73	Top Link Pin	2
2B	Z03-22-06	7/16" Dia Linch Pin	2
3	1802500	Rear Bale Stop	1
3A	Z03-04-73	Top Link Pin	1
3B	Z03-22-06	7/16" Dia Linch Pin	1
4C	Z10-02-10	10mm Flat Washer	3

6. Load Arm Assembly  
6.1 Load Arm Mounting  
6.2 Inner Load Arm  
6.3 Outer Load Armr

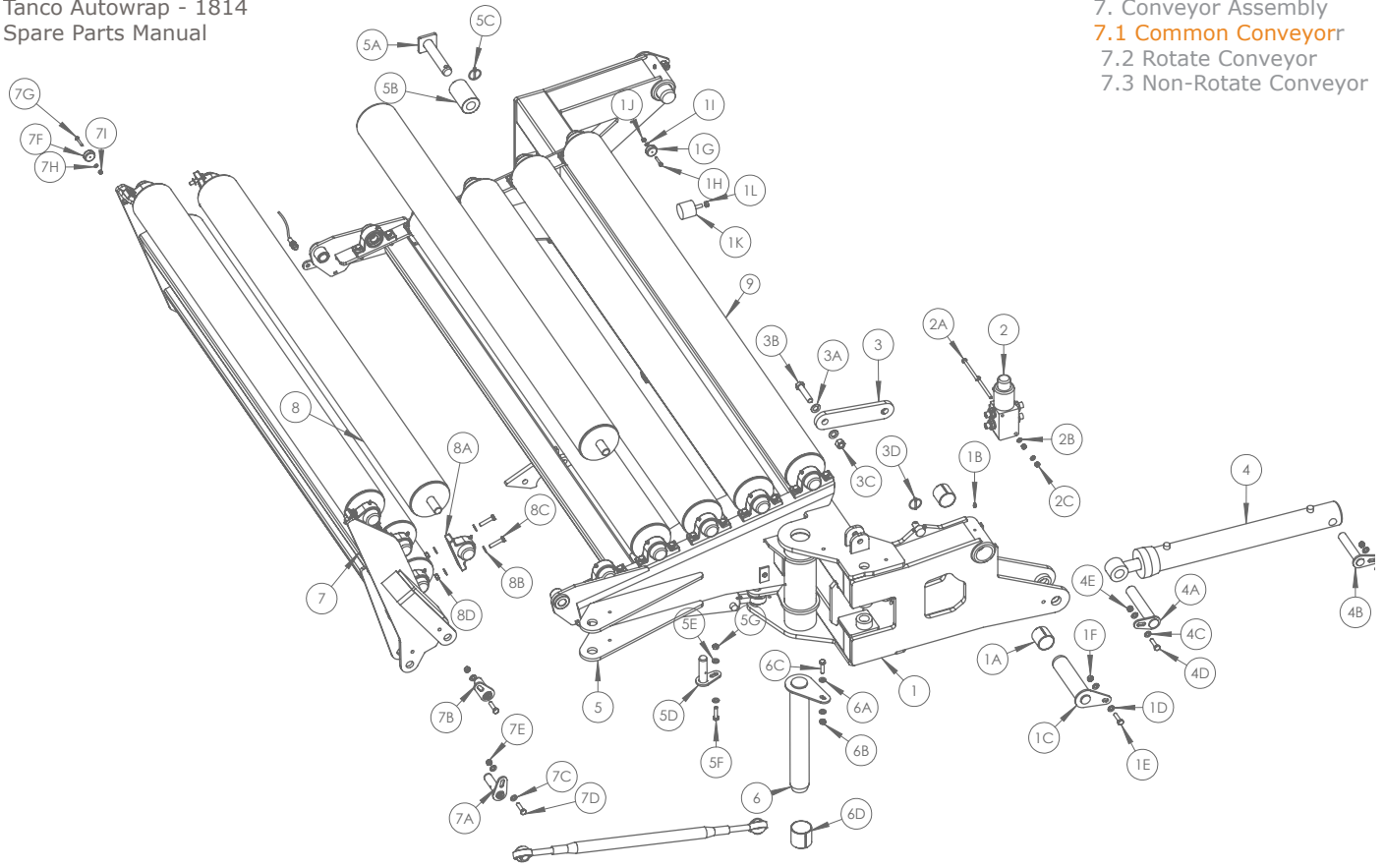


Item No	Part No	Description	Qty
1	1802300	Loading Arm Main Frame	1
1A	1808450	Loading Arm Squeeze Ram	1
1B	1801153	Inner Arm Link Pin	1
1C	Z10-02-10	10mm Flat Washer	2
1D	Z26-0645	M10 x 40mm Hex Set	1
1E	Z23-10	10mm Locknut	1
2	1802400	Loading Arm Outer Frame	1
2A	1801155	Squeeze Ram Pin	1
2B	1801154	Outer Frame Pivot Pin	1
2C	Z10-02-10	10mm Flat Washer	3
2D	Z12-02-10	10mm Spring Washer	1
2E	Z26-06115	M10 x 25mm Hex Set	1
2F	Z26-0645	M10 x 40mm Hex Set	1
2G	34060800	M8 x 1.25 Grease Nipple	2
2H	Z40-28	Ø 50mm x 22mm Rubber Buffer	1
2I	Z10-02-10	10mm Flat Washer	1
2J	Z23-10	10mm Locknut	1
2K	Z03-20-27	DX Bush 40mm ID x 40mm Long	4
2L	Z23-10	10mm Locknut	1





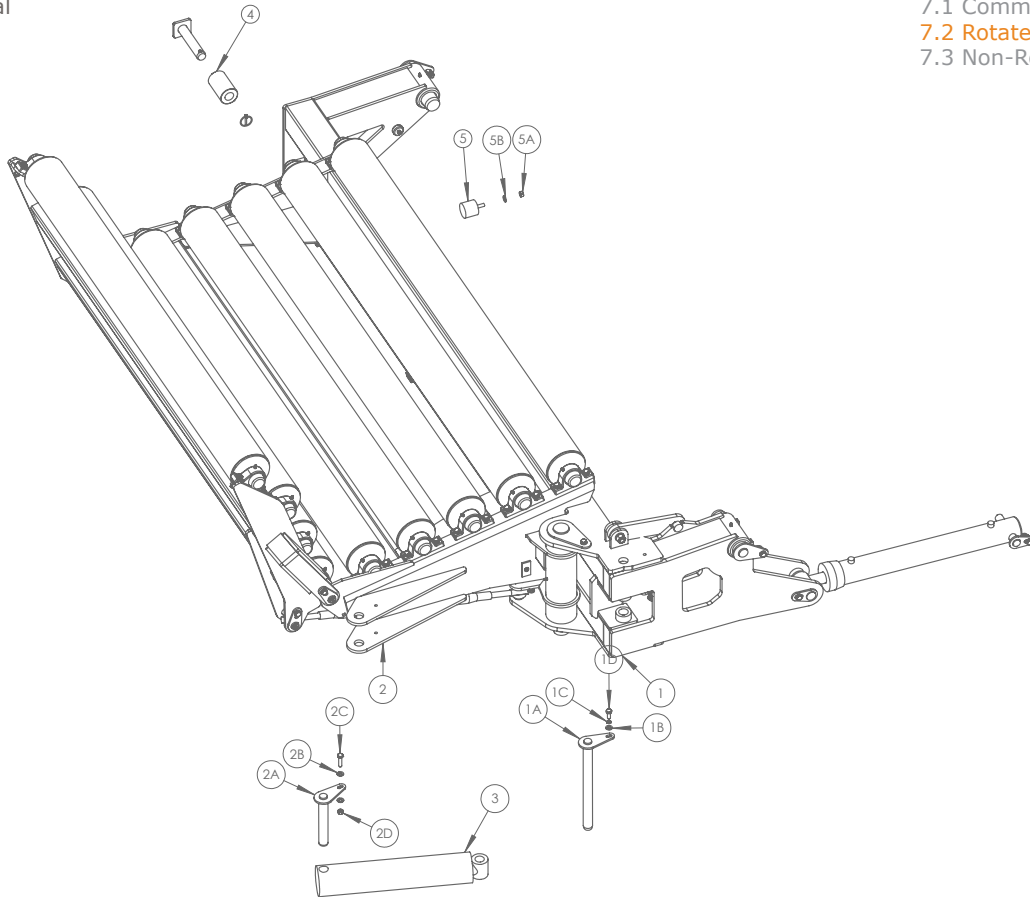




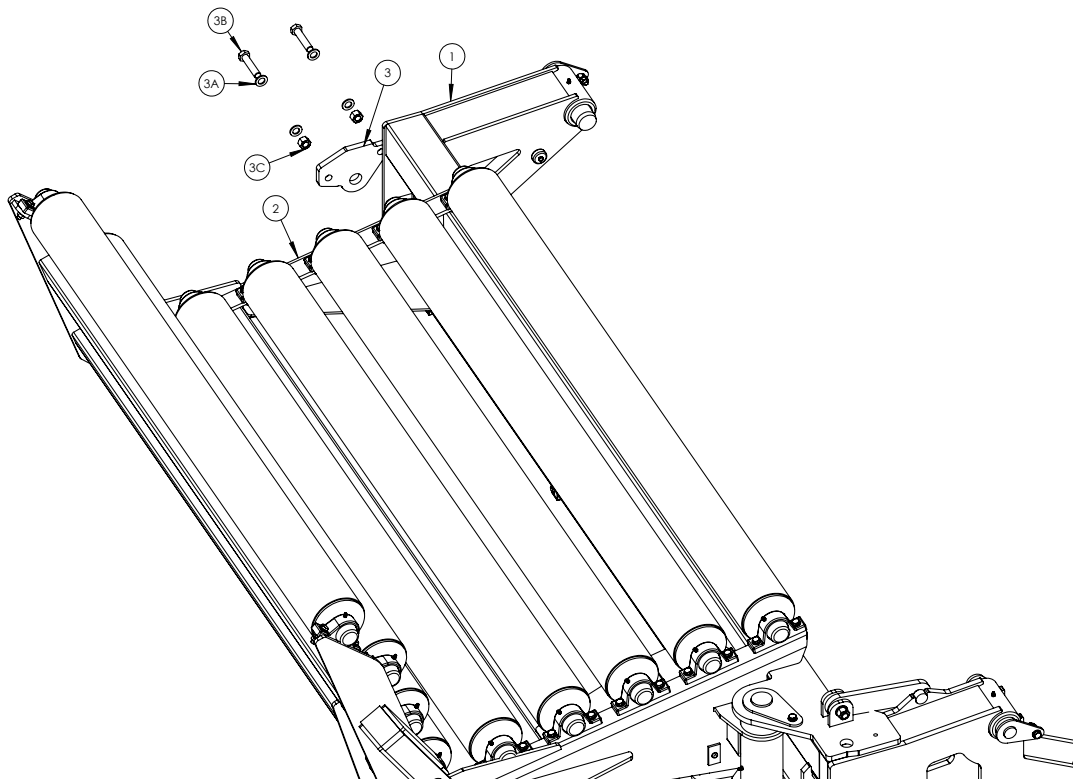
- 7. Conveyor Assembly
- 7.1 Common Conveyorr
- 7.2 Rotate Conveyor
- 7.3 Non-Rotate Conveyor

Item No	Part No	Description	Qty
1	1807050	Conveyor Mounting Frame	1
1A	Z03-20-28	DX Bush 50mm ID x 50mm Long	4
1B	34060800	M8 Grease Nipple	3
1C	1801162	Conveyor Pivot Pin (Vertical)	2
1D	Z10-02-10	10mm Flat Washer	4
1E	Z26-0645	M10 x 40 Hex Set	2
1F	Z23-10	10mm Locknut	2
1G	1309201	Sensor Magnet	1
1H	Z26-0235	M6 x 35mm Hex Set	1
1I	Z10-02-06	6mm Flat Washer	1
1J	Z23-06	6mm Locknut	1
2	1808065	6 Port Diverter Valve	1
2A	Z26-0575	M8 X 100mm Hex Set	2
2B	Z10-02-08	8mm Flat Washer	2
2C	Z23-08	8mm Locknut	2
3	1804366	Conveyor Stay Bracket	1
3A	Z10-02-16	16mm Flat Washer	2
3B	Z26-129B	M16 x 75mm Hex Bolt	1
3C	Z23-16	16mm Locknut	1
3D	Z03-22-03	1/4" Dia Linch Pin	1
4	Z01-01-AW-1070	Conveyor Squeeze Cylinder	1
4A	Z03-12-139	139/988 Pin	1
4B	Z03-12-151	151/988 - Pivot Pin	1
4C	Z10-02-10	10mm Flat Washer	4
4D	Z26-0645	M10 x 40 Hex Set	2
4E	Z23-10	10mm Locknut	2
5	1807080	Conveyor Horiz'tl Pivot Frame	1
5A	34105719	Support Roller Pin	1

Item No	Part No	Description	Qty
5B	34730054	Support Roller	1
5C	Z03-22-03	1/4" Dia Linch Pin	1
5D	1801170	Cylinder / Top Link Pin	2
5E	Z10-02-10	10mm Flat Washer	1
5F	Z26-0645	M10 x 40 Hex Set	1
5G	Z23-10	10mm Locknut	
6	1801163	Drawbar / Conveyor Pivot Pin	1
6A	Z10-02-10	10mm Flat Washer	2
6B	Z23-10	10mm Locknut	1
6C	Z26-0645	M10 x 40 Hex Set	1
6D	Z03-20-29	DX Bush 60mm ID x 60mm Long	2
7	1807090	Conveyor Vertical Pivot Frame	1
7A	1801170	Cylinder / Top Link Pin	1
7B	1801165	Conveyor Pivot Pin	2
7C	Z10-02-10	10mm Flat Washer	6
7D	Z26-0645	M10 x 40 Hex Set	3
7E	Z23-10	10mm Locknut	3
7F	1309201	Sensor Magnet	1
7G	Z26-0235	M6 x 35mm Hex Set	1
7H	Z10-02-06	6mm Flat Washer	1
7I	Z23-06	6mm Locknut	1
8	1807530	Idle Roller (Short)	4
8A	Z06-47-25	25mm Pillow Block Bearing	18
8B	Z10-02-10	10mm Flat Washer	72
8C	Z26-0655	M10 x 45mm Hex Set	36
8D	Z23-10	10mm Locknut	36
9	1807535	Idle Roller (Long)	5

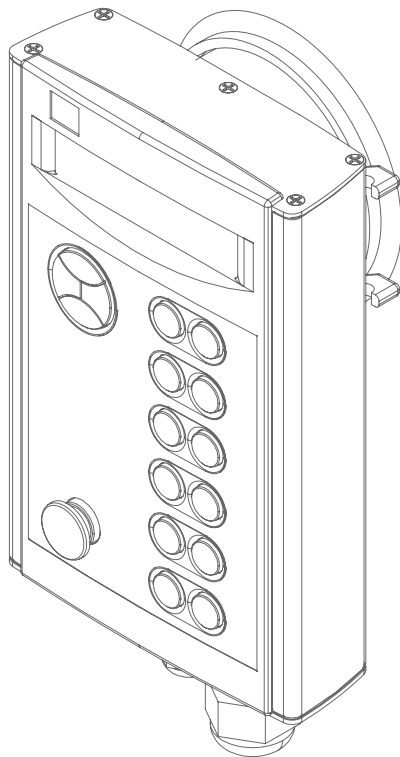


Item No	Part No	Description	Qty
1	1807050	Conveyor Mounting Frame	1
1A	1801155	Squeeze Ram Pin	1
1B	Z10-02-10	10mm Flat Washer	1
1C	Z12-02-10	10mm Spring Washer	1
1D	Z26-0611S	M10 x 25mm Hex Set	1
2	1807080	Conveyor Horiz'tl Pivot Frame	1
2A	1801153	Squeeze Ram Pin	1
2B	Z10-02-10	10mm Flat Washer	2
2C	Z26-064S	M10 x 40 Hex Set	1
2D	Z23-10	10mm Locknut	1
3	Z01-01-SG55	Conveyor Rotate Ram	1
4	34730054	Support Roller	1
5	Z40-20	Ø 50mm x 42 Rubber Buffer	1
5A	Z23-10	10mm Locknut	1
5B	Z10-02-10	10mm Flat Washer	1



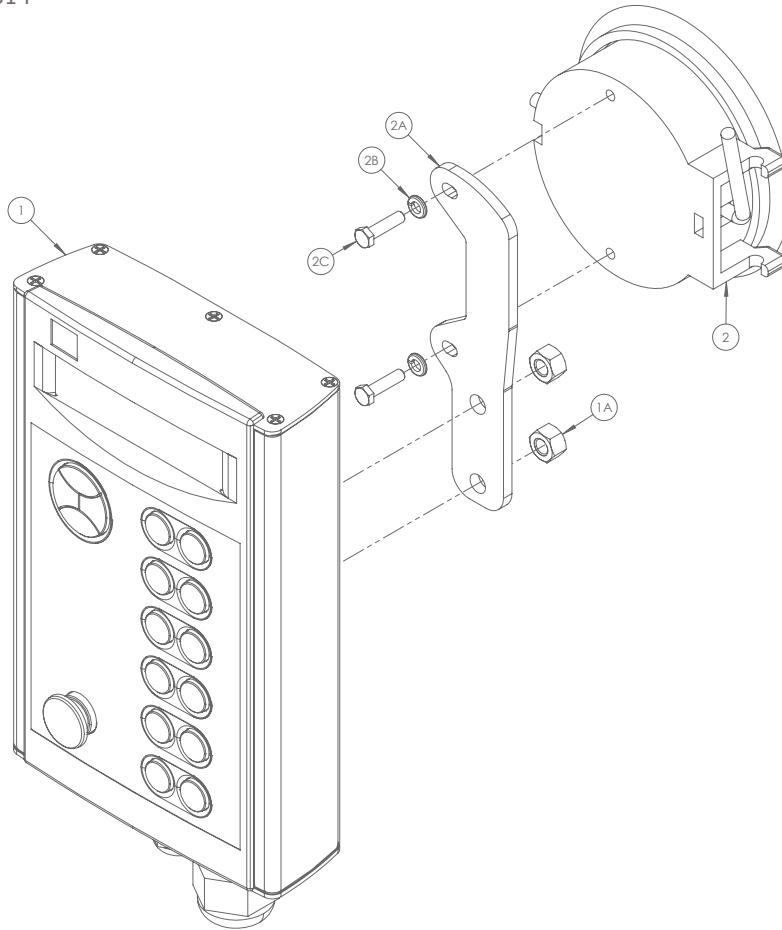
Item No	Part No	Description	Qty
1	1807050	Conveyor Mounting Frame	1
2	1807080	Conveyor Horiz'tl Pivot Frame	1
3	1807092	Conveyor Bolt on Bracket	1
3A	Z10-02-16	16mm Flat Washer	4
3B	Z26-129B	M16 x 50mm Hex Set	2
3C	Z23-16	16mm Locknut	2

Tanco Autowrap - 1814  
Spare Parts Manual





8. Controller Mounting Assembly



Item No	Part No	Description	Qty
1	1409150	1400 Expert Control Unit	1
1A	Z23-08	8mm Locknut	2
2	1309012	Controller Suction Cup	1
2A	1309011	Sucntion Cup Mounting Bracket	1
2B	Z12-02-05	5mm Spring Washer	2
2C	Z26-0175	M5 x 20mm Hex Set	2

